



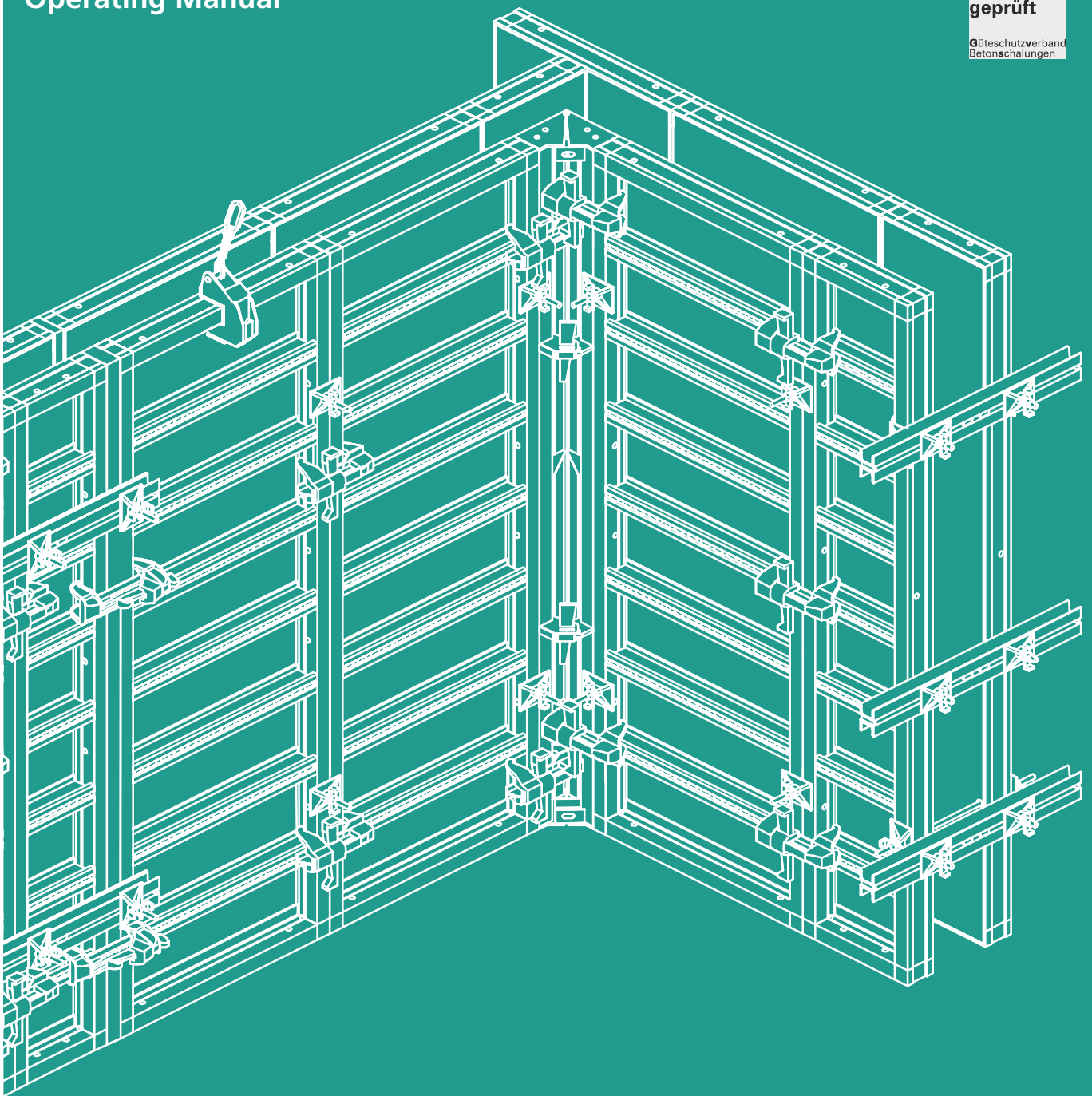
THE FORMWORK

# NOE<sup>®</sup> top

formwork support

Dated: 04.2019

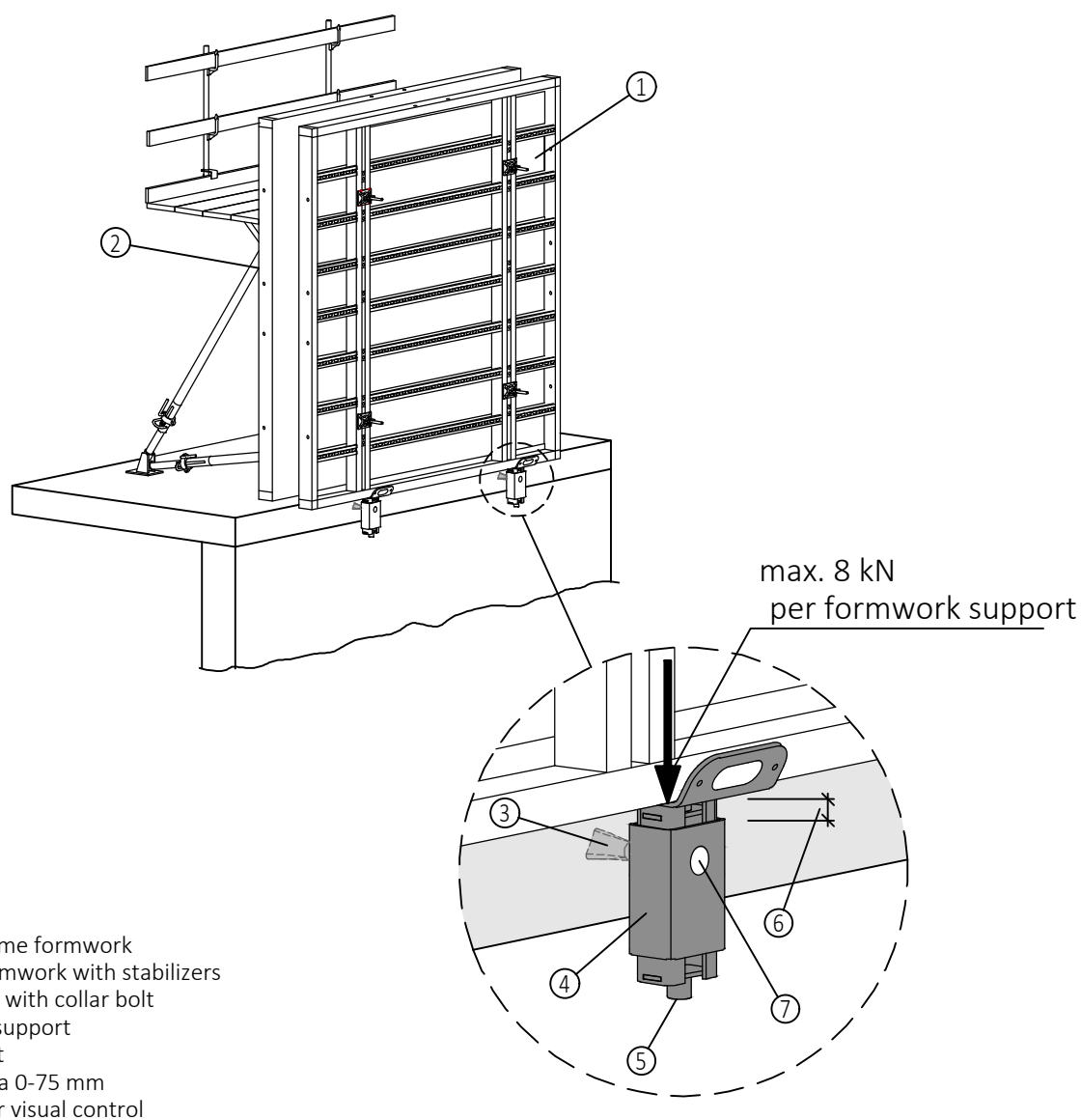
Assembly and  
Operating Manual



### 1 Overview of the NOEtop formwork support

The NOE formwork support serves as a support for the NOEtop frame formwork on walls where no scaffolding is used to place the formwork. It is attached to the wall or deck with the NOE anchor sleeve and the collar screw. It is not allowed to attach the walkway brackets or working scaffolds to the formwork on the formwork supports.

The adjustment range of the formwork support is 75 mm, this enables to level the formwork horizontally. The load capacity is max. 8 kN.



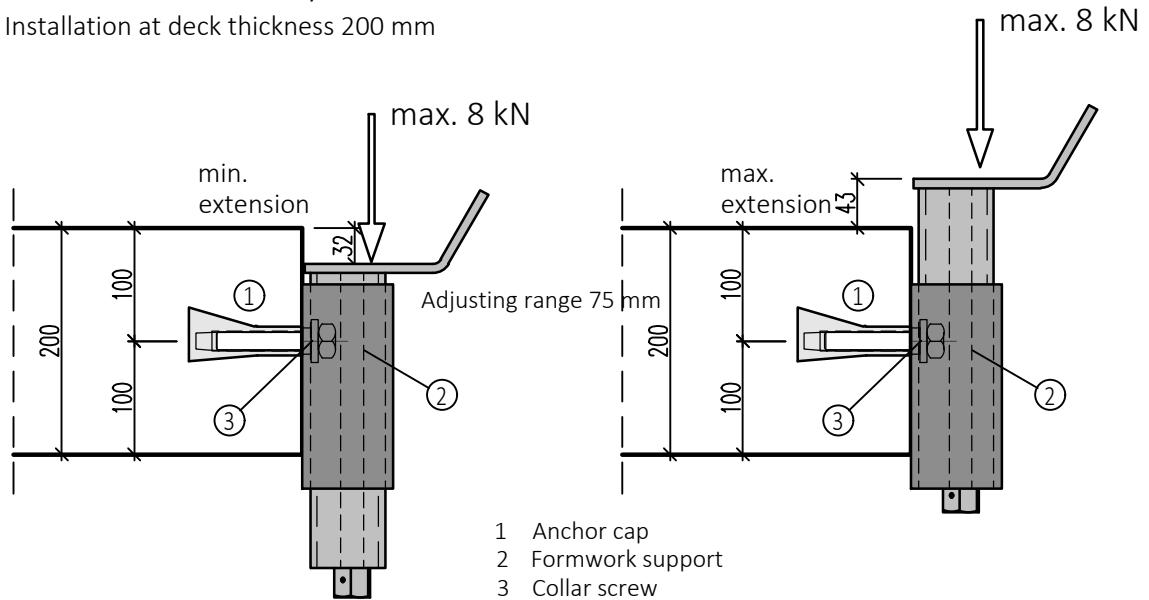
To operate the formwork and fall protection appropriate measures (e.g. placing a facade scaffold) are necessary on the outside.

### 2 Installation and detail: Anchor cap and formwork support

The formwork supports are attached to anchor sleeves which have been concreted into the deck resp. wall in advance, i.e. the division and installation of the anchor sleeves have to be carried out in advance.

#### 2.1 Position of the anchor cap

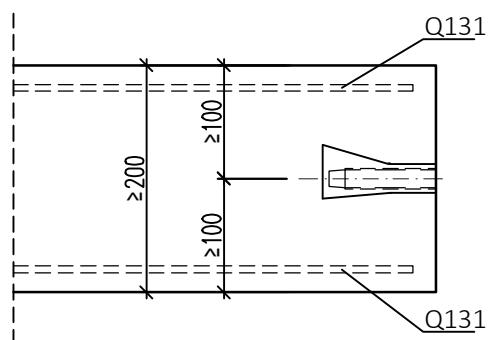
◆ Section - Installation at deck thickness 200 mm



A stiff connection of the formwork elements must be ensured!

#### 2.2 Minimum distances and deck thicknesses

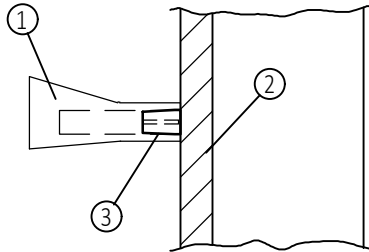
◆ Minimum reinforcement of the slab with Q131 on top and below



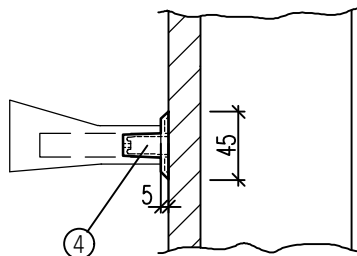
Minimum compressive strength of concrete

$$f_{c,200} = 15 \text{ N/mm}^2$$

### 2.3 Attachment of the anchor sleeve to the formwork



- ◆ Fixation with nail plugs:  
Nailing the nail plug on the form-facing and fixation of the anchor sleeve flush with the upper concrete edge.



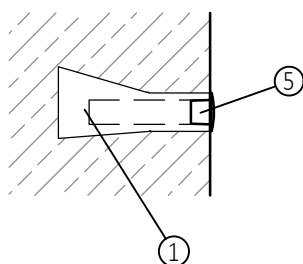
- ◆ Fixation with nail plate:  
Nailing the nail plate on the formwork facing and attaching the anchor sleeve. Concrete has a 5 mm deep recess  $\varnothing 45$ .

For removing the nail plate spanner part no. 466712 can be used.



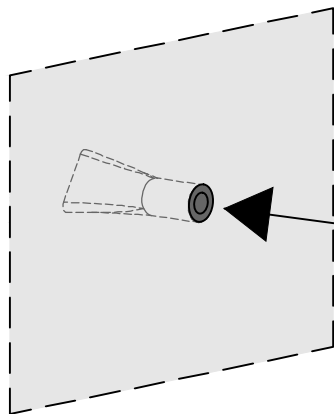
When using the collar screw  
2 washers must be installed here!

### 2.4 Closing the anchor sleeve after use




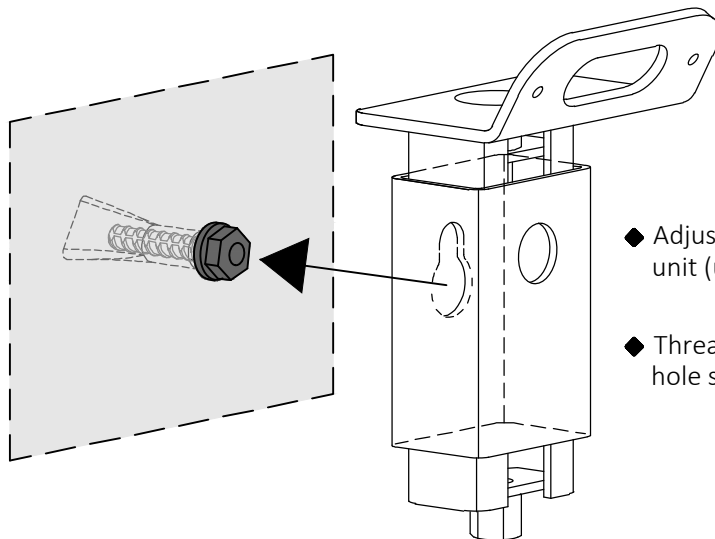
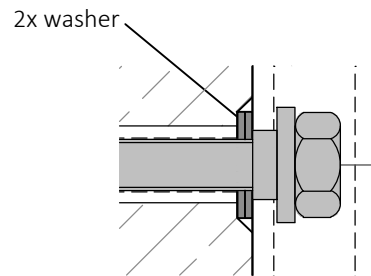
- 1 Anchor cap
- 2 Form-facing
- 3 Nailing plug
- 4 Nailing plate
- 5 Plug

### 2.5 Attachment of formwork support



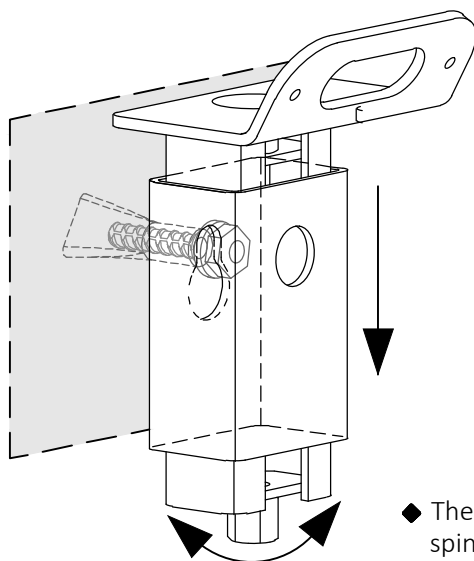
◆ Screw the collar screw into the cast-in anchor sleeve.

 After placement of the nailing plate, the collar screw with 2 washers has to be installed.




◆ Adjust the formwork support by turning the spindle unit (use a 30 mm spanner).

◆ Thread the formwork support with the widened hole surface into the collar screw.



◆ Push downwards until the narrow hole area rests on the screw shaft. Check the fit by looking through the inspection opening on the formwork support.

 necessary visual inspection:  
Formwork support must be flush on the collar screw.

◆ The built-in supports can be finely adjusted by turning the spindle unit. Operation can be done from above or below with SW30.

# Assembly and Operating Manual

## NOEtop formwork support



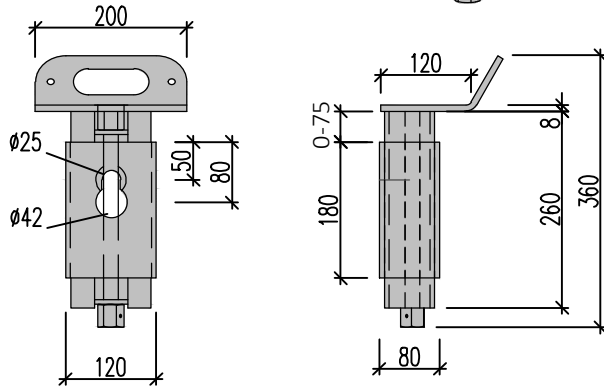
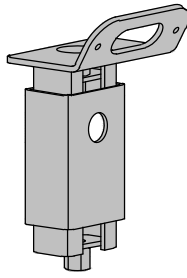
### 3 Individual parts

#### NOEtop formwork support

Adjusting range 75 mm

Part No. 164700

Weight 9,8 kg

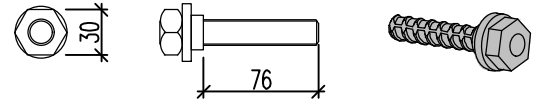


#### NOEtop bolt

with tie-rod thread DW 15 mm

Part No. 164704

Weight 0,3 kg



#### NOE washer shape $\varnothing 17$ DIN 125

$d=3$  mm, Install 2 pieces, if the anchor cap with nailing plate was installed

Part No. 380026

Weight 2,83 kg

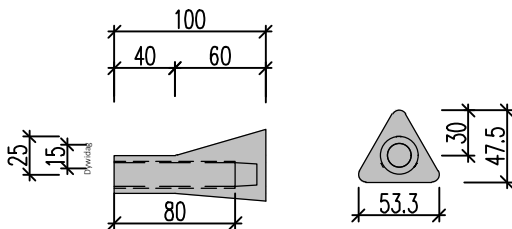
Packaging unit: 250 pieces

#### NOE anchor cap

Packaging unit: 50 pieces

Part No. 694901

Weight 3,35 kg

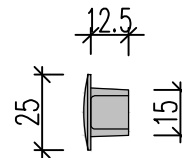


#### NOE plug

Packaging unit: 50 pieces

Part No. 694904

Weight 0,1 kg

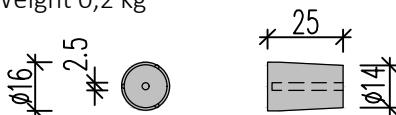


#### NOE nailing plug

Packaging unit: 50 pieces

Part No. 694902

Weight 0,2 kg

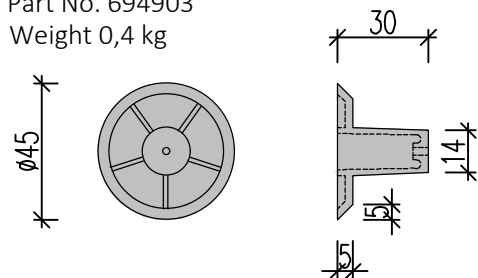


#### NOE nailing plate

Packaging unit: 50 pieces

Part No. 694903

Weight 0,4 kg



#### Spanner for nailing plate

Part No. 466712

Weight 0,4 kg



**THE FORMWORK**



**NOE-Schaltechnik  
Georg Meyer-Keller GmbH + Co. KG**

Kuntzestrasse 72, 73079 Süssen, Germany  
T + 49 7162 13-1  
F + 49 7162 13-288  
info@noe.de  
www.noe.eu

**Belgium**

NOE-Bekistingtechniek N.V.  
info@noe.be  
www.noe.eu

**France**

NOE-France  
info@noefrance.fr  
www.noe.eu

**Netherlands**

NOE-Bekistingtechniek b.v.  
info@noe.nl  
www.noe.eu

**Austria**

NOE-Schaltechnik  
noe@noe-schaltechnik.at  
www.noe.eu

**Poland**

NOE-PL Sp. Zo.o.  
noe@noe.pl  
www.noe.pl

**Switzerland**

NOE-Schaltechnik  
info@noe.ch  
www.noe.eu