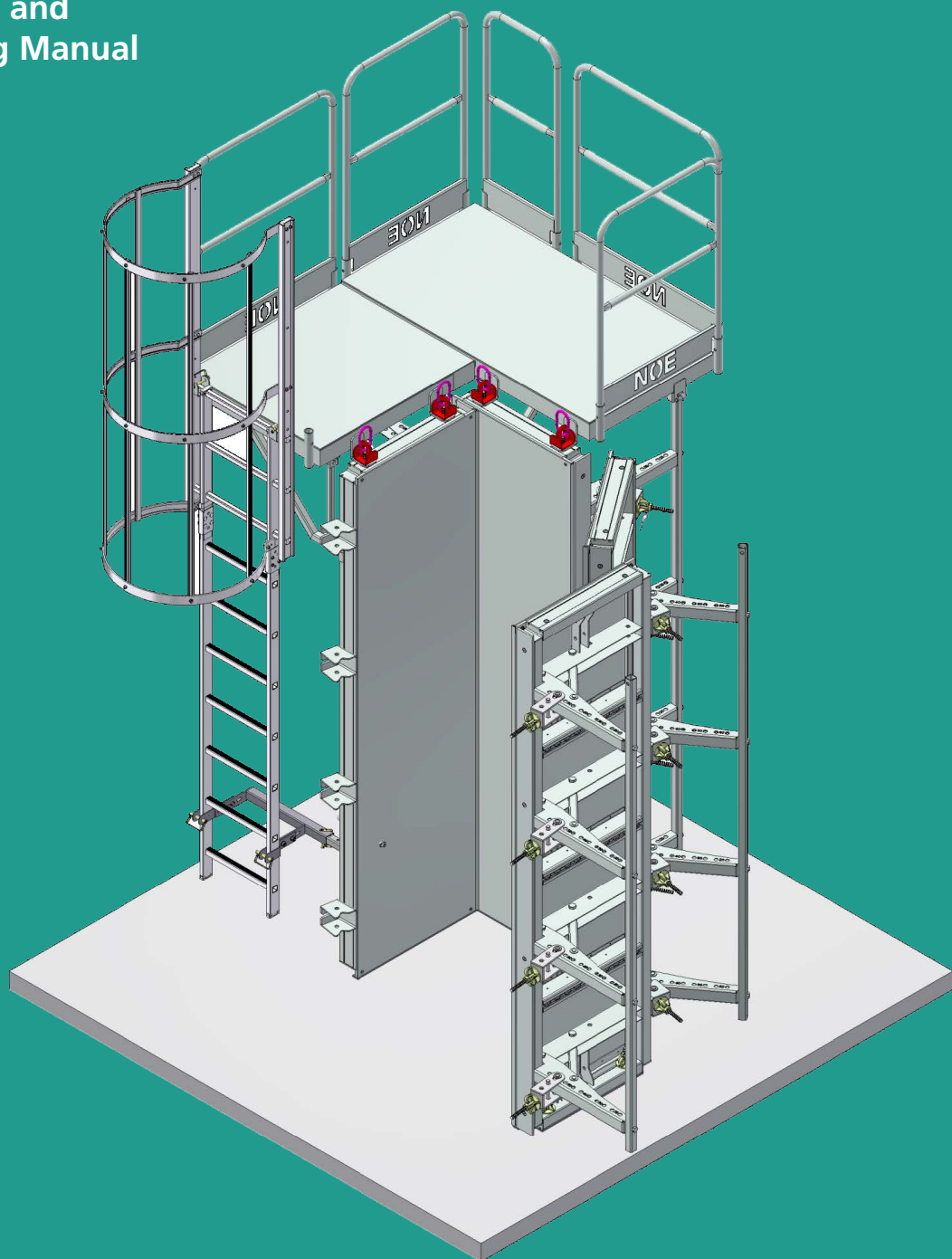


The title "NOE[®] top FS" in a large, bold, black sans-serif font. To the left of the text is a green icon consisting of four horizontal bars of varying lengths, resembling a staircase or a set of steps.

Dated: 02.2024

Assembly and
Operating Manual







Contents		<i>Page</i>
1	SV Guide, safety advice	4
2	Safe setting down of column formwork elements	5
3	System overview NOEtop FS rectangular column formwork	6
4	Assembly of NOEtop FS	7
4.1	Assembling the form elements	7
4.2	Assembly of platform and ladder	11
4.3	Erection of NOEtop FS column formwork	14
4.4	Concreting	16
4.5	Stripping and moving the formwork	16
5	Details	17
5.1	Folding out the elements	17
5.2	Setting the cross section and connecting the elements	18
5.3	Closing the formwork	19
5.4	Sheets	19
5.5	Extending the formwork	20
5.6	Crane suspension	21
5.7	Attaching the platforms	21
5.8	Attaching ladders and ladder cages	22
5.9	Rules for attaching ladders and ladder cages	27
5.10	Attaching the stabilizers	28
6	Ladders and ladder cages for standard heights	29
7	Individual parts	33
7.1	NOEtop FS column panels	33
7.2	Miscellaneous accessories	35
7.3	Individual platform and ladder parts	36
8	Tables showing individual formwork part combinations	39

1 Safety advice, GSV guidelines

1.1 Notes concerning the intended and safe use of formwork and falsework

The contractor is responsible for drawing up a risk assessment and a set of installation instructions. The latter is not usually identical to the assembly and use instructions (AuV).

- **Risk assessment:** The contractor is responsible for the compilation, documentation, implementation and revision of a risk assessment for each construction site. His employees are obliged to implement the measures resulting from this in accordance with all legal requirements.
- **Installation instructions:** The contractor is responsible for compiling a written set of installation instructions. The assembly instructions form part of the basis for the compilation of a set of installation instructions.
- **Assembly and use instructions:** Formwork is technical work equipment and is intended for commercial use only. It must be used properly and exclusively by trained specialist personnel and appropriately qualified supervising personnel. The assembly and use instructions are an integral component of the formwork construction. They comprise at least safety guidelines, details on the standard configuration and proper use, as well as the system description. The functional instructions (standard configuration) contained in the assembly instructions are to be complied with exactly as stated. Enhancements, deviations or changes represent a potential risk and therefore require separate verification (with the help of a risk assessment) or a set of installation instructions that comply with the relevant laws, standards and safety regulations. The same applies in those cases where formwork and/or falsework components are provided by others on site.
- **Availability of the assembly and use instructions:** The contractor must ensure that the assembly and use instructions provided by the manufacturer or formwork supplier are available at the place of use, that site personnel are informed of this before assembly and use takes place, and that they are available at all times.
- **Representations:** The representations (drawings, diagrams etc.) shown in the assembly instructions are, in part, situations of assembly and not always complete in terms of safety considerations. Any safety installations that may not have been shown in these representations must nevertheless be available.
- **Storage and transportation:** Any special requirements relating to transportation procedures and storage of the formwork constructions must be complied with. An example would be the use of the appropriate lifting gear.
- **Material check:** Formwork and falsework material deliveries are to be checked on arrival at the construction site/place of destination as well as before each use to ensure that they are in perfect condition and function correctly. Changes to the formwork materials are not permitted.
- **Spare parts and repairs:** Only original components may be used as spare parts. Repairs are to be carried out by the manufacturer or at authorised repair facilities only.
- **Use of other products:** Combining formwork components from different manufacturers carries certain risks. They are to be individually verified and can result in the compilation of a separate set of assembly instructions required for the installation of the equipment.
- **Use of other products:** Individual safety symbols are to be complied with. Examples:



Safety information: Non-compliance can lead to damage to materials or risk to the health of site personnel (also life).



Visual check: The intended operation is to be subject to a visual check.

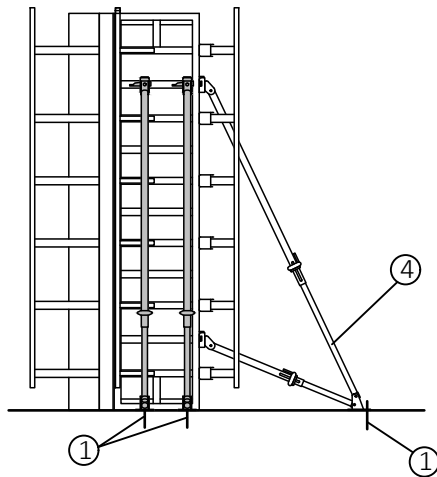


Note: Supplementary information for safe, correct and professional execution of work activities.

- **Miscellaneous:** We reserve the right to make amendments in the course of technical development. All current country-specific laws, standards and other safety regulations are to be complied with without exception for the safe application and use of the products. They form a part of the obligations of employers and employees regarding industrial safety. This gives rise to, among other things, the responsibility of the contractor to ensure the stability of the formwork and falsework constructions as well as the structure during all stages of construction, which also includes the basic assembly, dismantling and the transport of the formwork and falsework constructions or their components. The complete construction is to be checked during and after assembly.

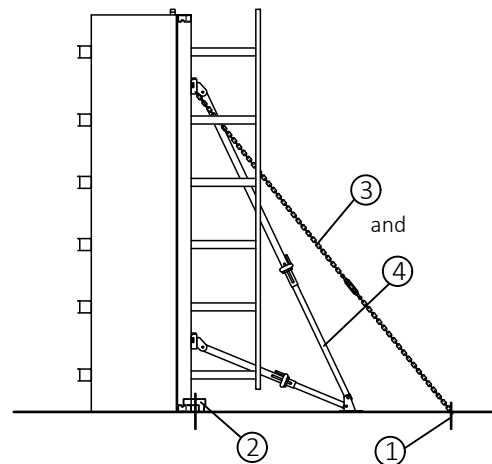
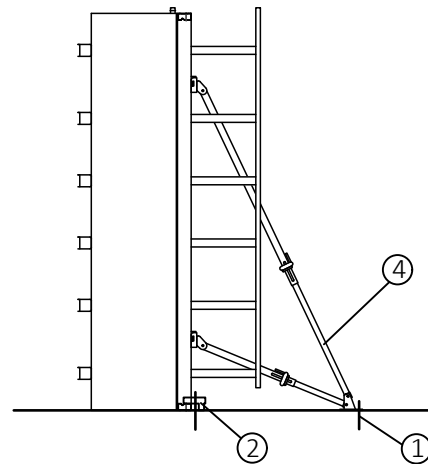
2 Safe setting down of column formwork elements

Column formwork set complete



Half column formwork set L-shaped

The measures shown are to be performed on both formwork elements.



- 1 Anchor bolt
- 2 Uplift safety device
- 3 Tension-resistant guy
- 4 Stabilizer



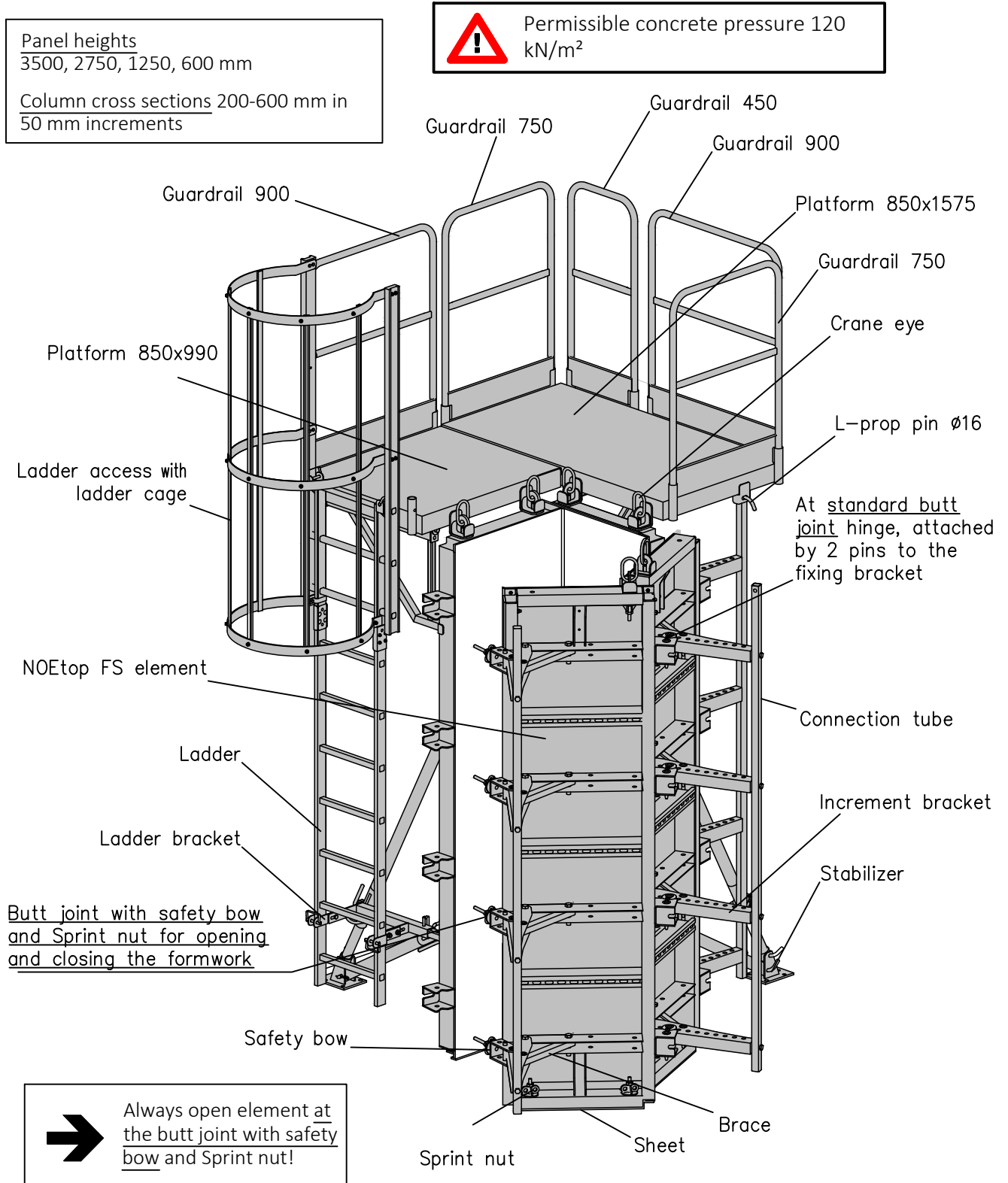
To avoid accidents always set elements down in such a way that they are structurally stable (guy, brace, anchor), this includes laying them down safely on the ground.

If the stabilizers are anchored with an anchor bolt, they must be able to act in compression and tension. At least one stabilizer in each direction must be bolted down. Attach uplift safety device to ensure structural stability under wind loads.

For attachment of stabilizers see → 5.10.

3 System overview NOEtop FS rectangular column formwork

NOEtop FS rectangular column formwork consists of 4 column elements, which can be assembled then lifted and moved from one place of use to another by crane. The formwork is suitable for casting columns with cross sections of 200-600 mm in 50 mm increments.



4 Assembly of NOEtop FS

The individual steps for assembly and erection are shown diagrammatically on the following pages. Panels of the appropriate heights are stacked and assembled one on top of the other to create taller formwork. Ladders, stabilizers etc. of the right height can then be selected.

Before using the formwork, read through the assembly and use manual and observe the safety advice given in each section at all times!



Everyone who works with the product must receive instruction from a suitably qualified member of the site supervisory staff.



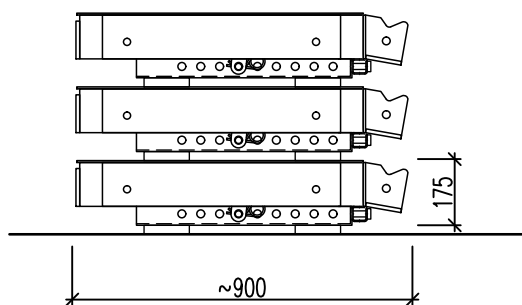
A risk analysis covering all situations on site must be carried out by a responsible person.

Components must be free of defects. Therefore visual inspection and/or testing of each component are essential at all stages of the work!

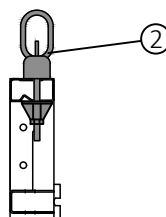
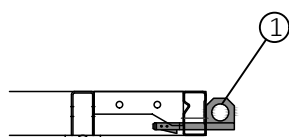
→ Refer to the detailed and exhaustive diagrams of the steps in the relevant sections.

4.1 Assembling the form elements

- ◆ The elements are folded up with the formwork facing side uppermost and secured against folding out again for transport and delivery.

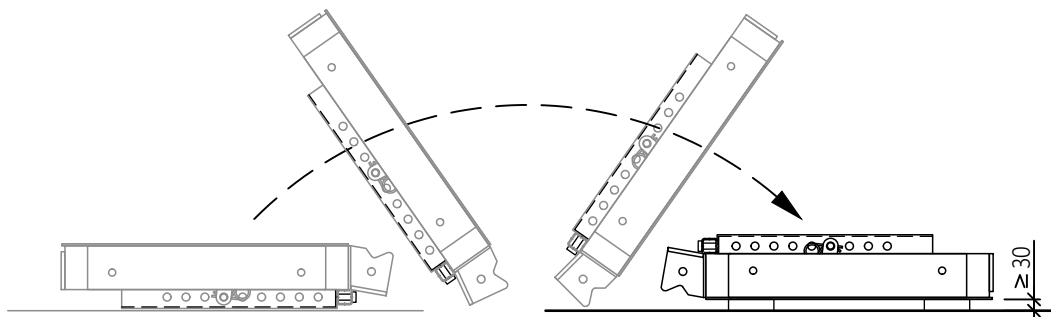


The panels must be turned over to fold out the increment brackets. To transport the panels, use lifting pins or bolt on crane eyes, see → 5.6.

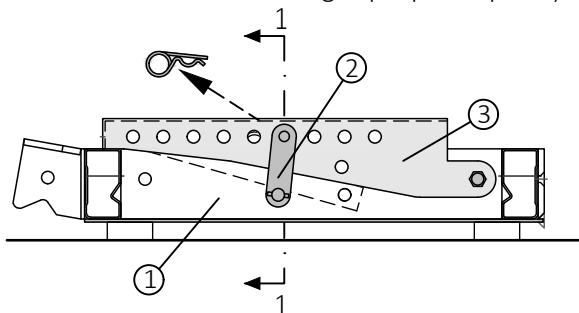


- 1 Lifting pin
- 2 Crane eye

- ◆ Place the element down on a clean, flat assembly area and turn it over to fold out the increment brackets. Insert min. 30 mm thick timbers below it because the platform guardrail brackets project for the later attached platform (otherwise the platform cannot be attached).

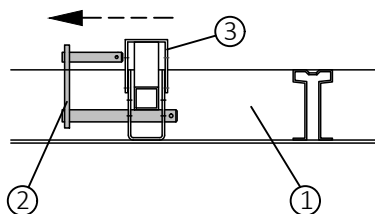


- ◆ Remove the spring pin from the formwork element securing U-pin (1 formwork element securing U-pin per FS panel).



- ◆ Pull out the formwork element securing U-pin from the increment bracket.

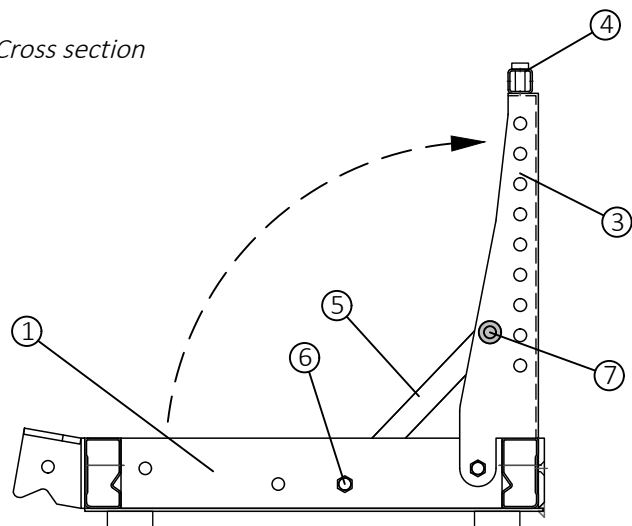
Section 1-1



- ◆ Fold out the increment brackets with connection tube, attach the brace with bolt $\varnothing 20 \times 150$ and secure it with spring pin. Reinsert the spring pin into the formwork element securing U-pin.

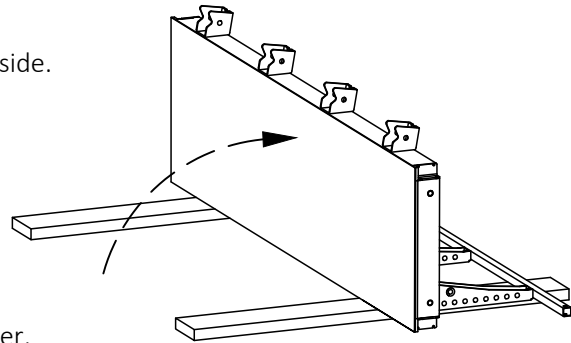
For folding out the formwork element refer to → 5.1.

Cross section



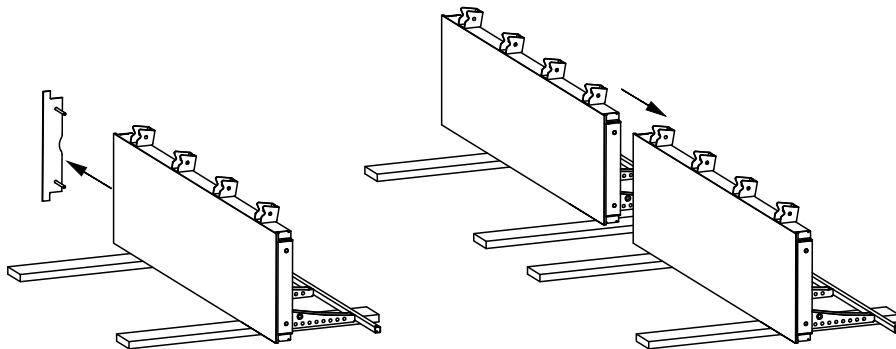
- 1 NOEtop FS panel
- 2 Formwork element securing U-pin
- 3 Increment bracket
- 4 Connection tube
- 5 Brace
- 6 Bolt M20x100 with lock nut and plain washer
- 7 Bolt $\varnothing 20$ 150 mm with spring pin Part No. 124632

- ◆ Turn the folded-out element over onto its other side.

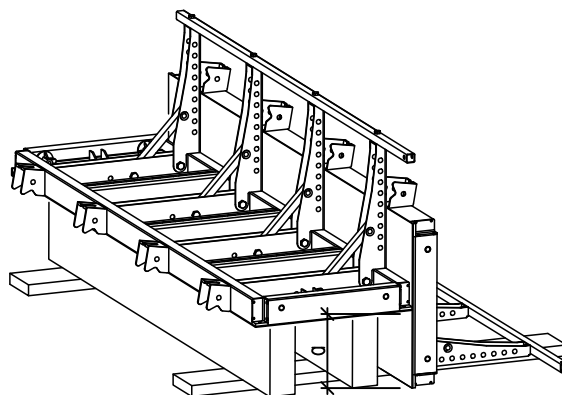


- ◆ If necessary, add more panels on top of each other, see → 5.5.

Sheets are attached to the panels to prevent them being damaged in use. If the height of the formwork is extended using Toplock, the sheets may be left in place; if the formwork is extended using tie rods and Sprint nuts, the sheets must be removed, see → 5.4.



- ◆ Bring a second element up to the first element. Place the panel on top of temporary supports, which have a height equal to the column dimension.

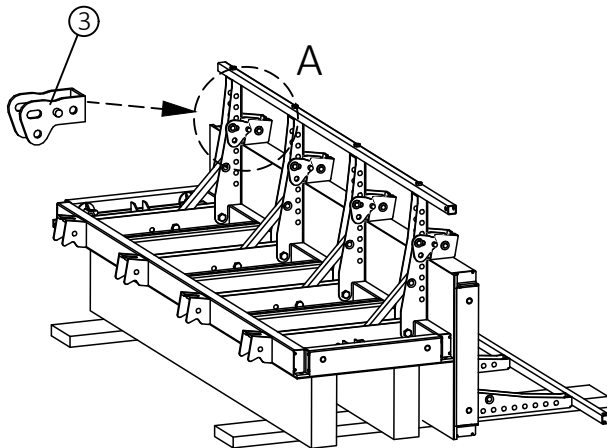


a = column dimension

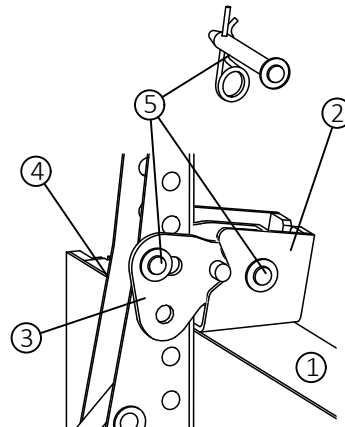
To make the element even easier to move around for assembly, a worthwhile approach is to suspend the element horizontally from a crane using the lifting pins until all the hinges have been installed.

- ◆ To connect the elements, attach the hinge to the hinge bearing on the NOETop FS panel and to the increment bracket with bolt $\varnothing 20$ and secure with spring pin.

Select the hole in the increment bracket corresponding to the column dimension and connect the elements see → 5.2.

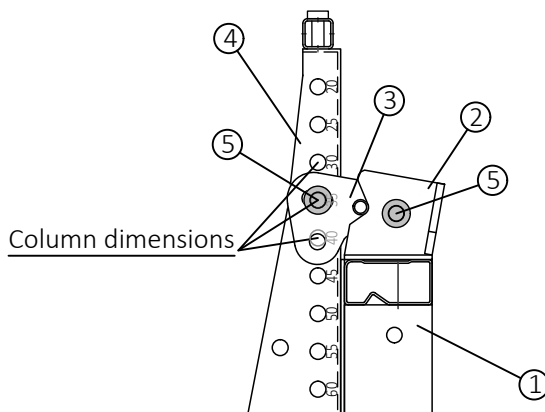


Detail A



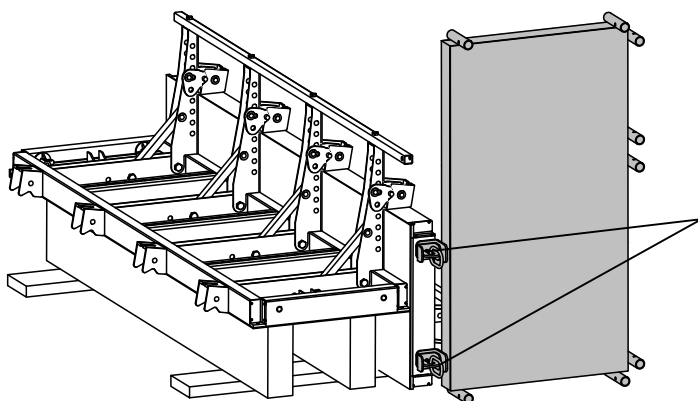
- 1 NOEtop FS panel
- 2 Hinge bearing
- 3 Hinge
- 4 Increment bracket
- 5 Bolt $\varnothing 20$ 150 mm including spring pin Part No. 124632

Section



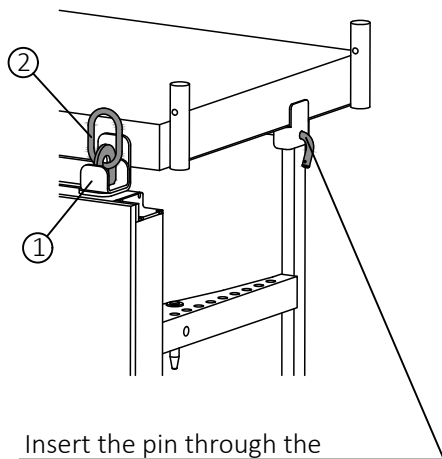
4.2 Assembly of platform and ladder

- ◆ Suspend the NOEtop FS 850x1575 mm platform from the crane, fold out the walkway brackets. Attach both bearing angles on the platform to the transverse holes of the panels with crane eyes and Sprint nuts. Connect the connection tube to the platform. see → 5.7.

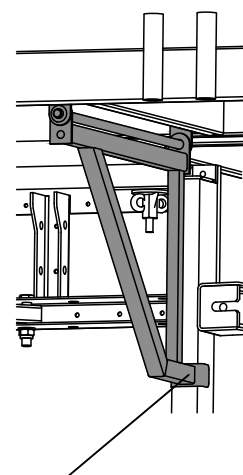


Position and align the platform to suit the transverse holes. Feed the 2 crane eyes through the bearing angle and the transverse holes and secure with a sprint nut.

- 1 Bearing angle
 - 2 Crane eye
- Part No. 124639

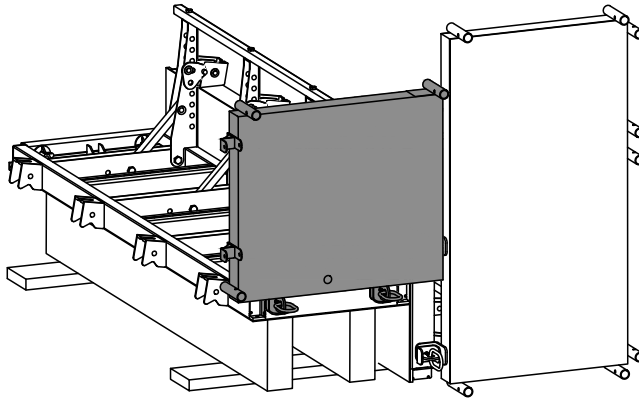


Insert the pin through the mounting on the platform and through the connection tube and secure.

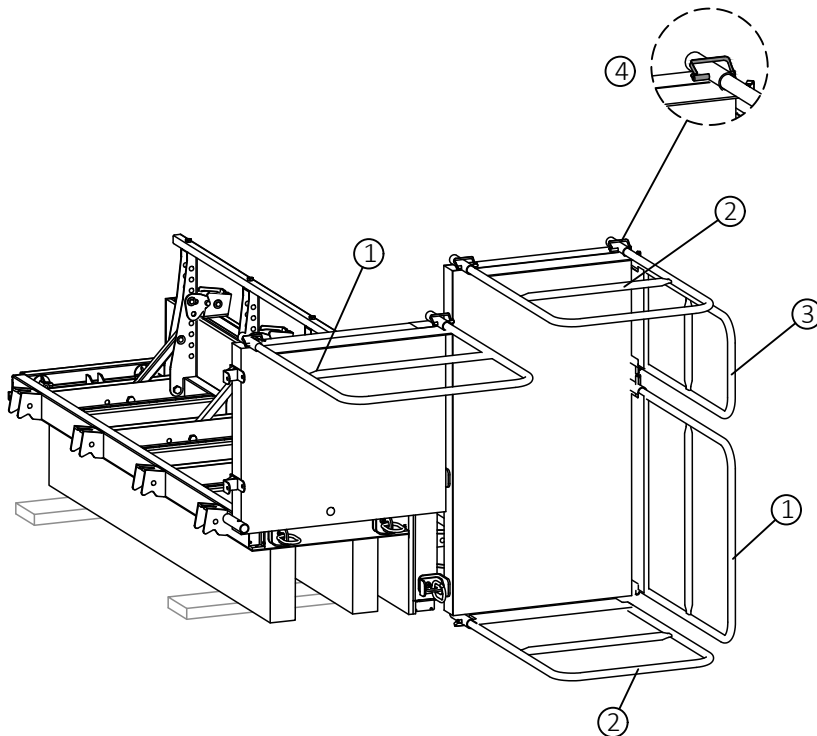


Fold out the bracket and push the U-profile over the panel edge profile.

- ◆ Suspend the NOEtop FS 850x990 mm platform from the crane, fold out the walkway brackets and attach to the formwork.
Attach both bearing angles on the platform to the transverse holes of the panels with crane eyes and Sprint nuts. Connect the connection tube to the platform.
see → 5.7.

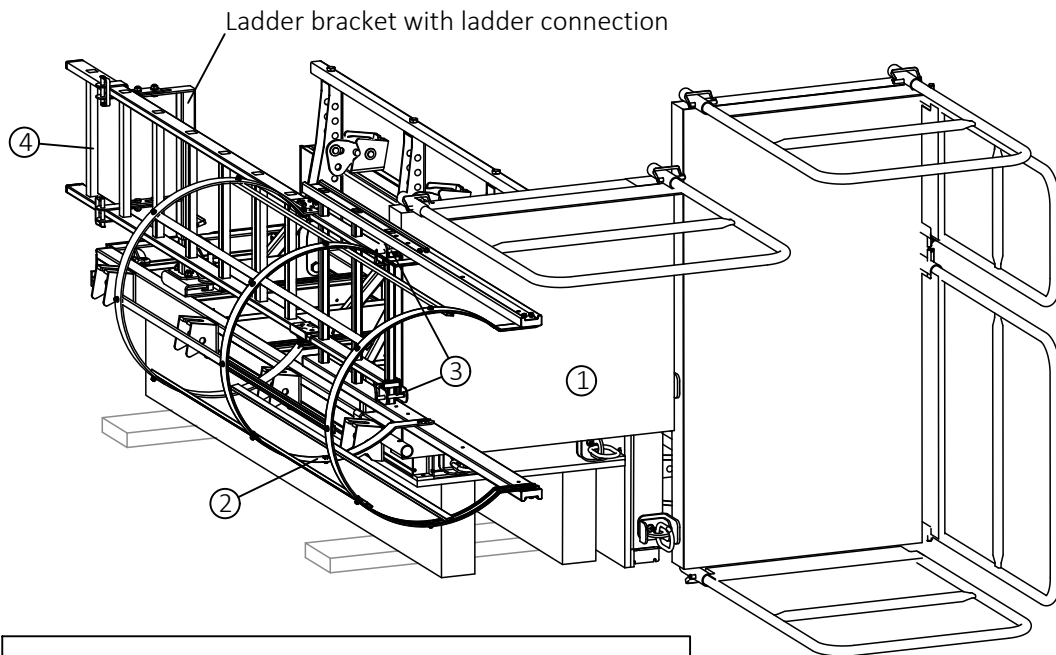


- ◆ Insert the guardrails and secure with spring pins.



- 1 Guardrail 900
 - 2 Guardrail 750
 - 3 Guardrail 450
 - 4 Spring pin
- Part No. 555990

- ◆ Hang the access ladder with ladder cage from the platform and secure with spring pins. Engage ladder connection with hammer-head bolt in the panels hat profile and attach the ladder bracket. Attach ladder to access ladder with ladder cage. See → 5.8.



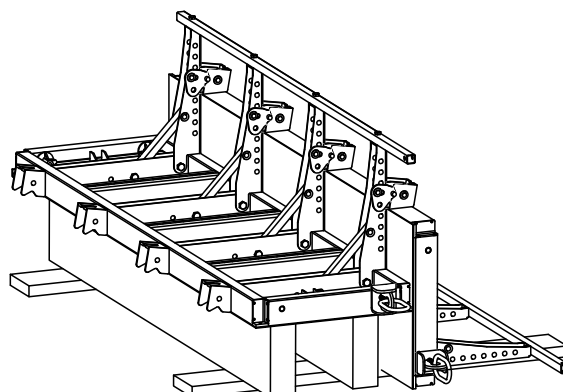
➔ 1 ladder connection with bracket per ladder butt joint and 1 additional at the foot of the bottom ladder.

- 1 NOEtop FS 850x990 mm platform
- 2 Access ladder with ladder cage
- 3 Spring pin
- 4 Ladder

- ◆ Attach stabilizers. see → 5.10.

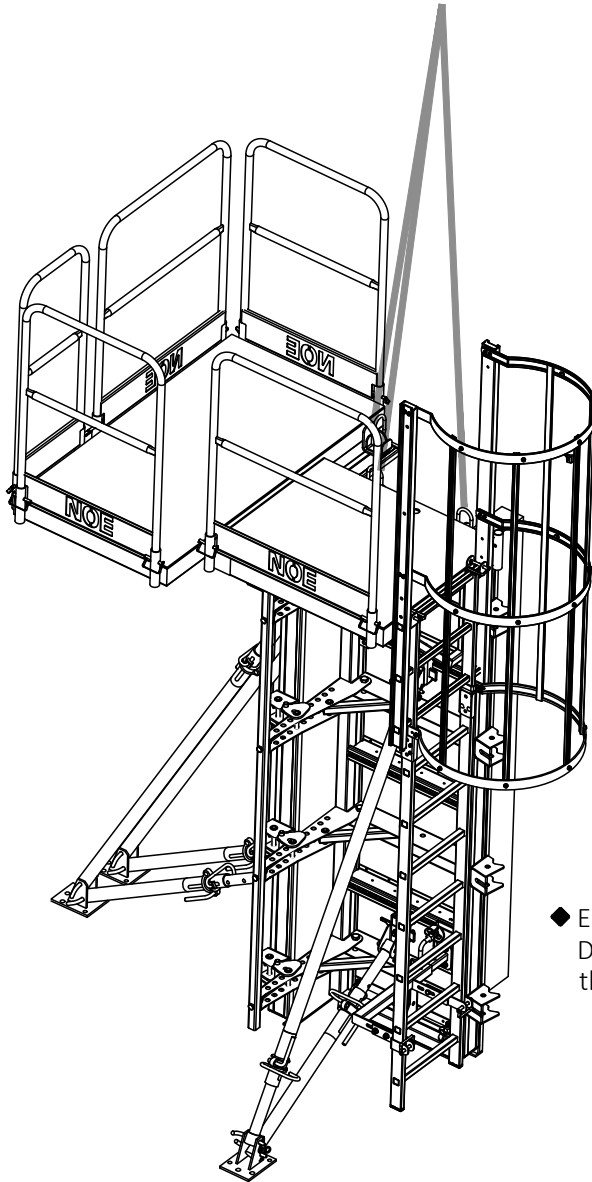
- ◆ Assemble 2nd L-shaped half of the column

Assembly is done in a similar way to Point 4.1. Only 2 crane suspension points are attached, no platforms, stabilizers or ladders.



4.3 Erection of NOEtop FS column formwork

- ◆ Attach slings to the crane suspension points of the preassembled elements with platform, lift the formwork slowly and move it into position.



- ◆ Erect element, anchor down stabilisers. Do not remove the crane slings until after the element is structurally stable.

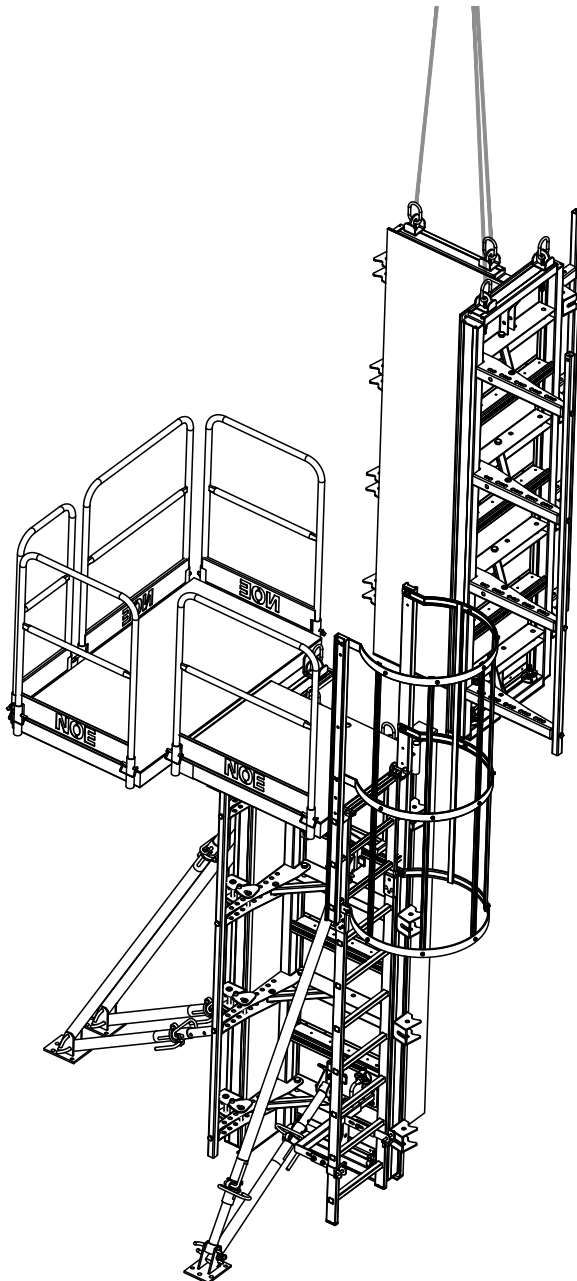


Before lifting the formwork always check in advance that the fastenings are correctly seated and locked.

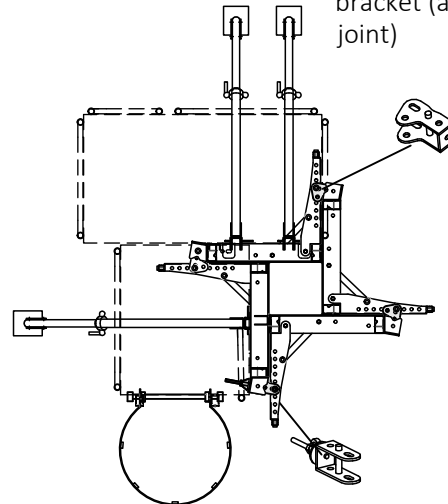
◆ Lift 2nd element into place

◆ Complete all the connections between the elements before removing the slings. The element can be more easily positioned and closed like this, see → 5.2 and 5.3.

Attach the connections at the element butt joints working from a site scaffold (mobile scaffold); the connections for opening/closing can be operated from the ladder.




Standard butt joint
Connection with hinge and 2 bolts at every increment bracket (as with assembly butt joint)



Butt joint for opening/closing
Connection with safety bow, Sprint nut and 1 bolt at every increment bracket

4.4 Concreting




Before concreting starts, check the bolts and connections for

- Completeness
- Correct positioning
- Effective locking

- ◆ Observe DIN 4235 Part 2 "Compaction of concrete by internal vibrators".

4.5 Stripping and moving the formwork




Before stripping first check:

- Observe the minimum stripping times!
- Concrete compressive strength!

Strip at the butt joint with the safety bow!

- ◆ Open the column formwork at the butt joint for opening/closing (safety bow with Sprint nut) and not at a standard butt joint (hinge with 2 pins).
- ◆ Release the element from the concrete. Use pry bars or similar tools; never pull panels free with a crane. Suspend the complete formwork set from the crane and fold out the formwork.

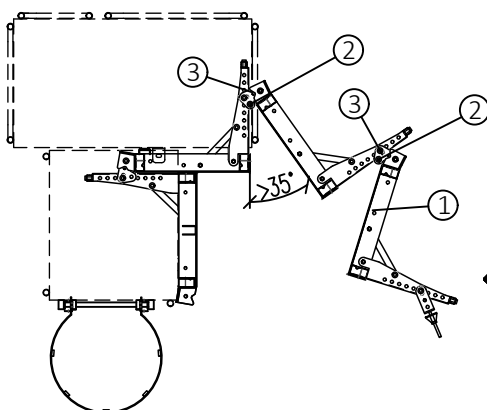


If an element is proving difficult to strip, check again that the formwork has been correctly opened.

Do not pull the formwork off the concrete using a crane! Use suitable tools!

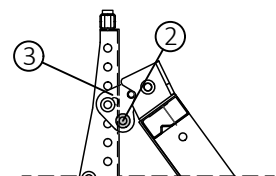
Stand well clear when lifting the formwork in case it swings out!

- ◆ Clean the formwork elements before each further use and apply release agent.
- ◆ To secure the formwork from folding up again after it has been folded out, every element must have an additional 1 bolt inserted in one level on the hinge and secured with a spring pin. This will prevent the formwork folding up again and minimise the crushing hazard. Elements with platforms can be opened only to a limited extent.



- 1 NOEtop FS panel
- 2 Additional bolt $\varnothing 20$
- 3 Hinge

Detail



- ◆ The formwork must be closed before the formwork set is transported to the next place of use. To do this, remove the additional bolts.

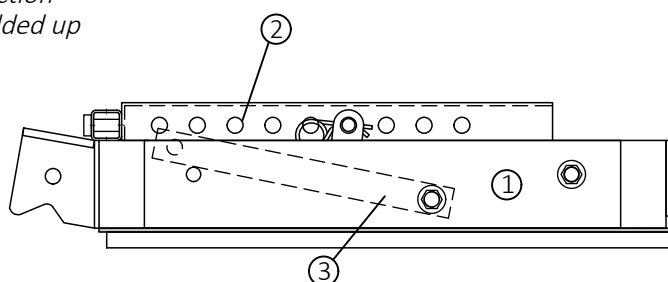
5. Details

5.1 Folding out the elements

- ◆ NOEtop FS panels are supplied folded up. The connection tube with the increment brackets must be folded out before use. The brace is pinned in place and secured with a spring pin to fix the unit in its folded-out state.

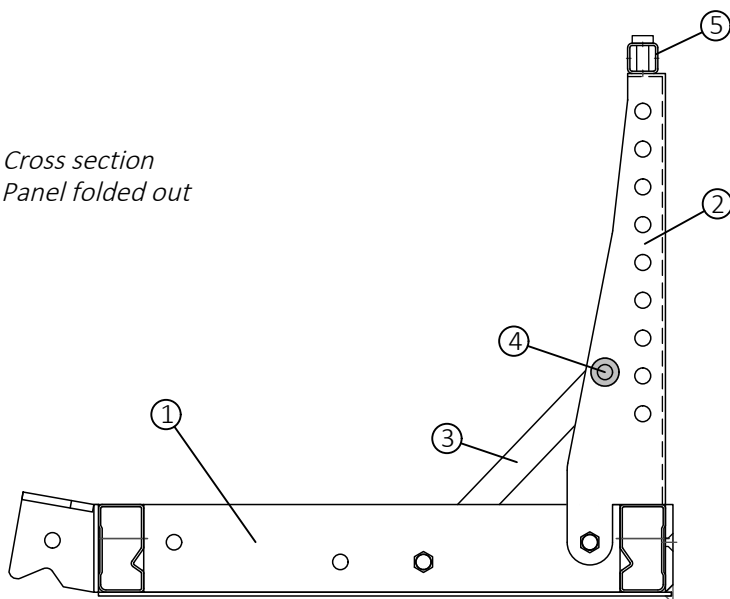
Suitable for cross sections of 200-600 mm in 50 mm increments

*Cross section
Panel folded up*

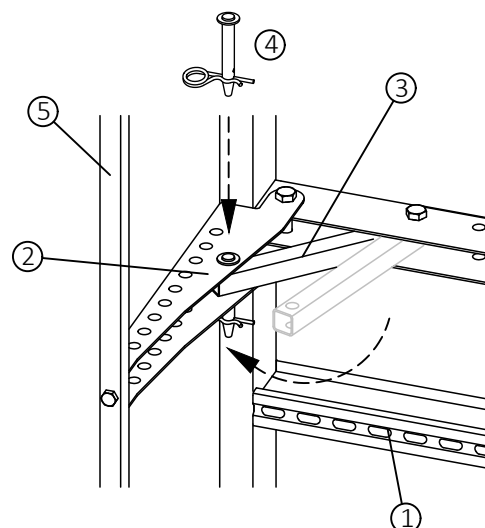


- 1 NOEtop FS panel
- 2 Increment bracket
- 3 Brace
- 4 Bolt $\varnothing 20$ 150 mm with spring pin Part No. 124632
- 5 Connection tube

*Cross section
Panel folded out*



*Elevation
Panel folded out*



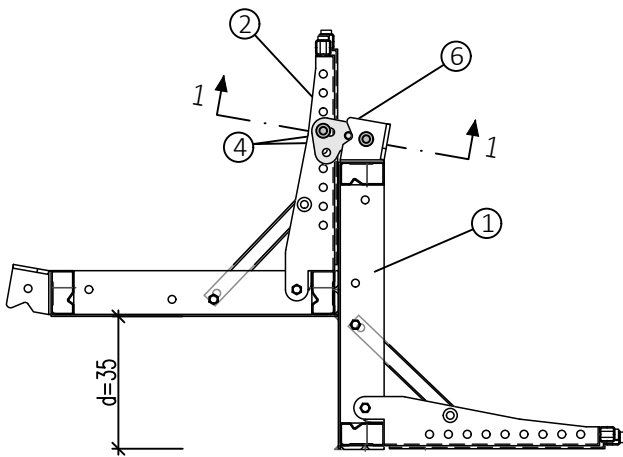


5.2 Setting the cross section and connecting the elements

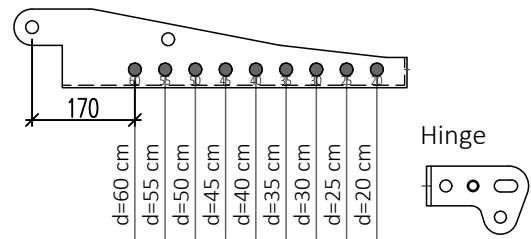
- ◆ As described earlier, the elements are placed one on top of the other and the hinge attached to the hinge bearing of the NOEtop FS panel with bolts $\varnothing 20$ and secured with spring pins.

Fasten the hinge in the increment bracket by placing a bolt $\varnothing 20$ in the correct hole to achieve the required column dimension and secure with a spring pin.
The column dimensions are given at the holes in the increment bracket.

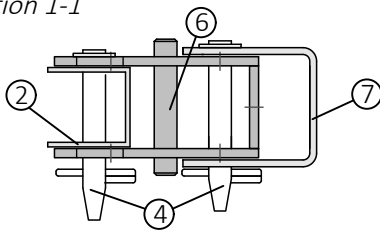
e.g. column 35 cm



Increment bracket



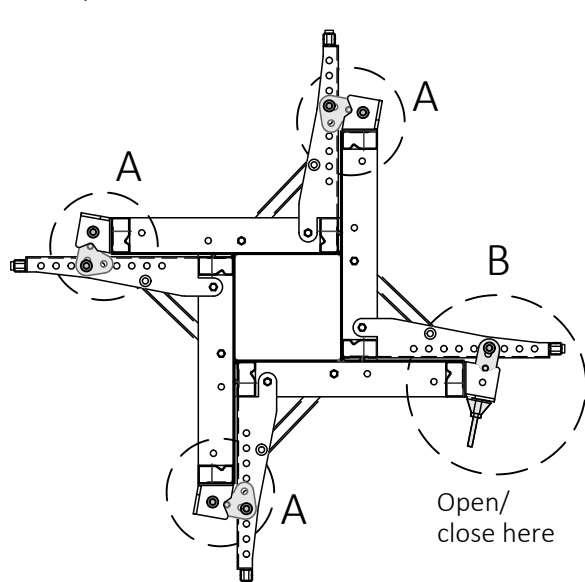
Section 1-1



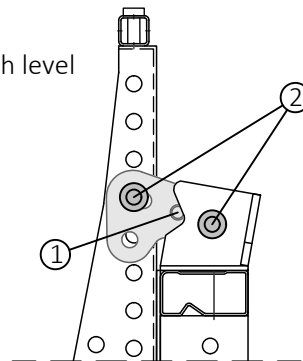
- 1 NOEtop FS panel
- 2 Increment bracket
- 3 Brace
- 4 Bolt $\varnothing 20$ 150 mm with spring pin
Part No. 124632
- 5 Connection tube
- 6 Hinge
- 7 Hinge bearing

5.3 Closing the formwork

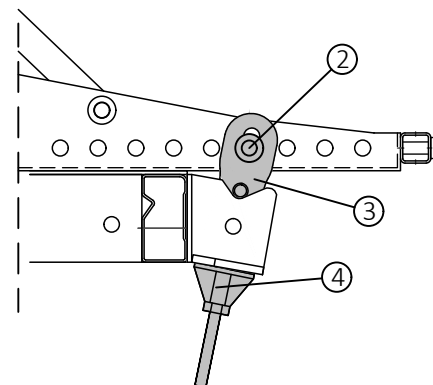
- ◆ NOEtop FS forms are deployed as units and must be opened or closed only at one butt joint. At this joint, a safety bow is used instead of a hinge. It is fastened in the increment bracket with the bolt and to the fixing bracket of the formwork element with a Sprint nut.



Detail A
3 x at each level



Detail B
1 x at each level



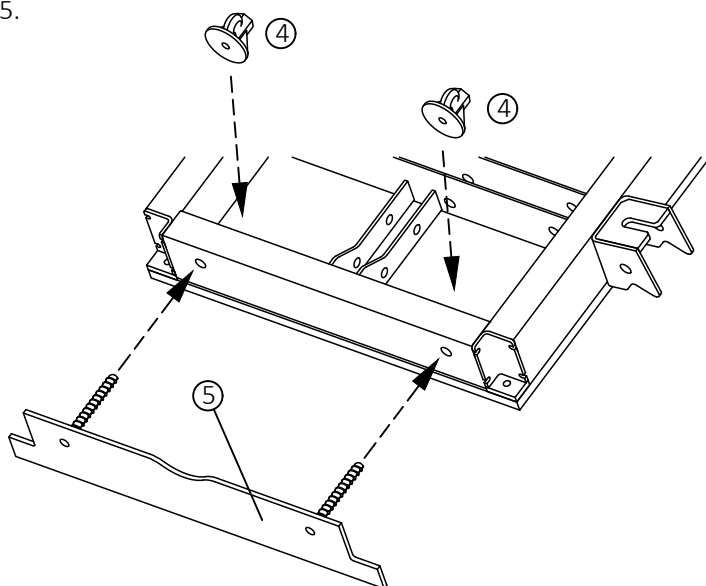
Safety bow



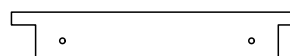
5.4 Sheets

Sheets are fitted to the elements to protect the facing when the formwork units are positioned. They must be removed from the butt joints if formwork is extended by bolting one unit on top of another. See → 5.5.

- 1 Hinge
- 2 Bolt Ø20 150 mm with spring pin Part No. 124632
- 3 Safety bow
- 4 Sprint nut
- 5 Sheet



Sheet



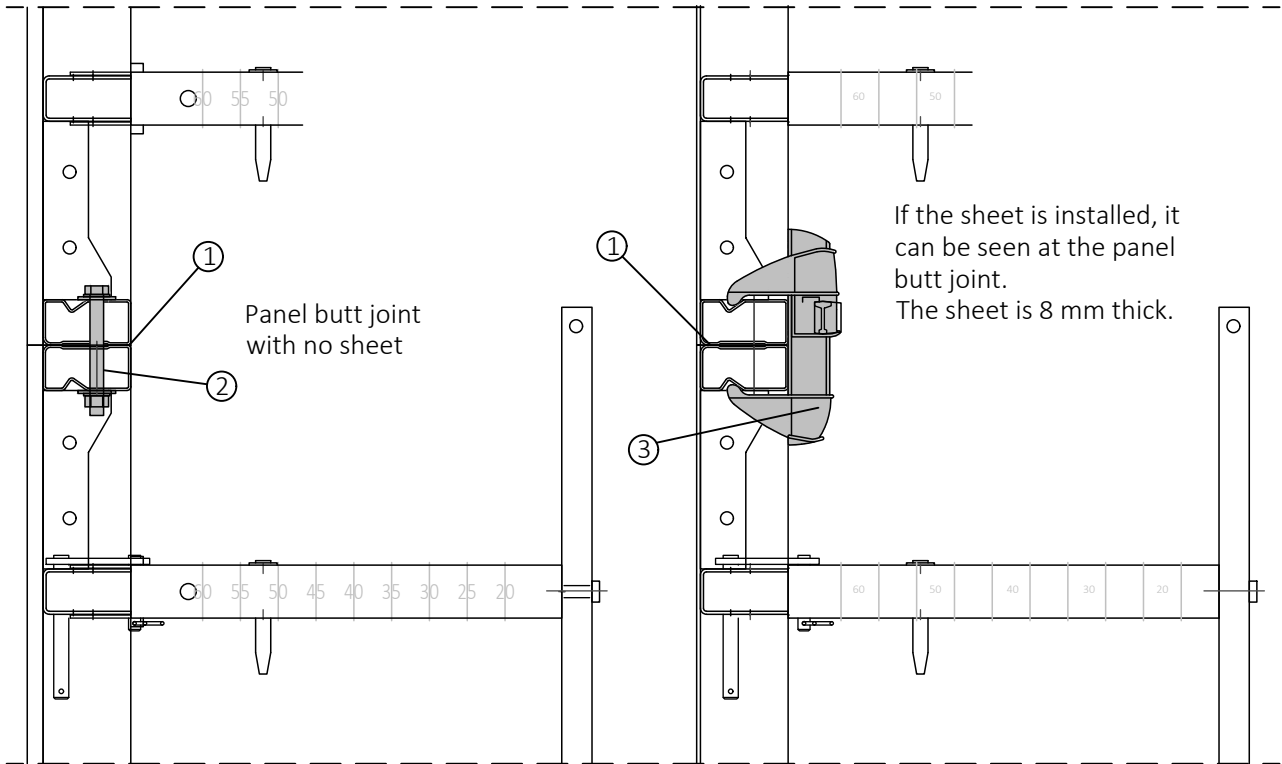


5.5 Extending the formwork

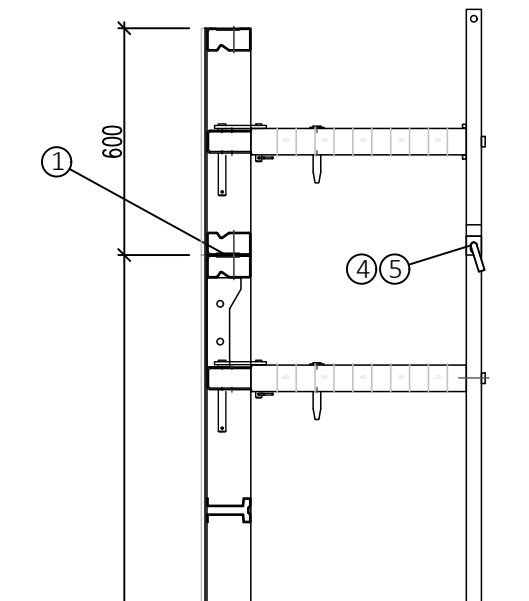
The total height of the NOEtop FS formwork is made up by combining elements with heights of 3500, 2750, 1250 and 600 mm. The smaller elements can be used at the top or bottom to suit site requirements. If the column formwork elements have to be extended or reduced in height, it is best to put these elements at the bottom to allow the platforms to remain attached to the column formwork elements when they are moved.

◆ Bolted elements

◆ Connection with Toplock

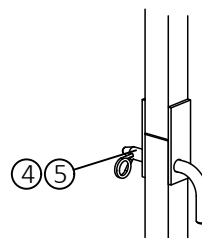


Special point to note when using H=60 cm



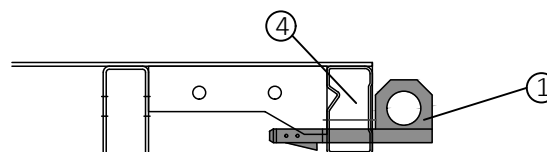
- 1 Panel butt joint
- 2 Bolt M18x160+hexagon nut
Part No. 318900
- 3 Toplock Part No. 137976
- 4 L-prop pin Ø16
Part No. 697010
- 5 Spring pin Ø3.6
Part No. 913304

Insert the connecting tube and secure with pin and spring pin.



5.6 Crane suspension points

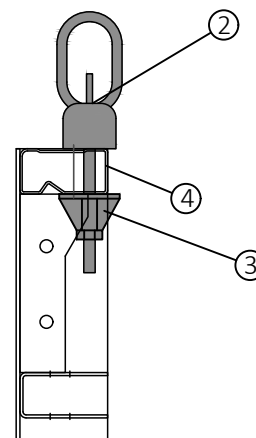
◆ Individual elements can be moved horizontally using the lifting pins.



Observe the operating instructions for the lifting pins!

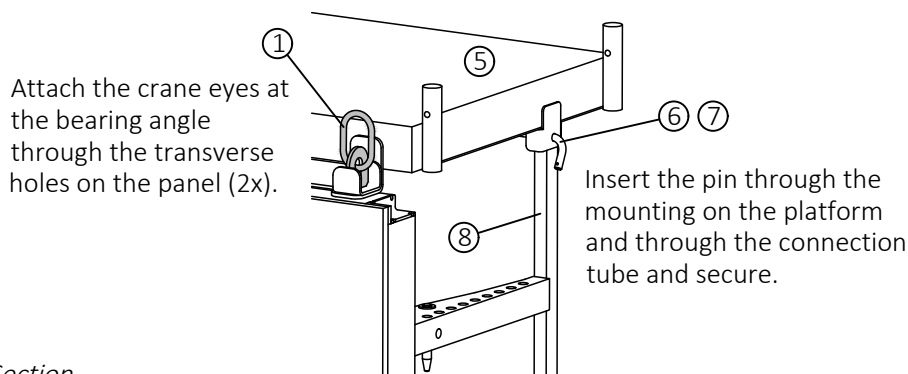
◆ The crane eye is fitted into the edge profile of the column formwork panel and secured with a Sprint nut. This allows e.g. individual elements to be moved. It also acts as a fastening and a crane suspension point when adding the platforms.

- 1 Lifting pin Part No. 136808
- 2 Crane eye Part No. 124639
- 3 Sprint nut Part No. 680580
- 4 Element edge profile

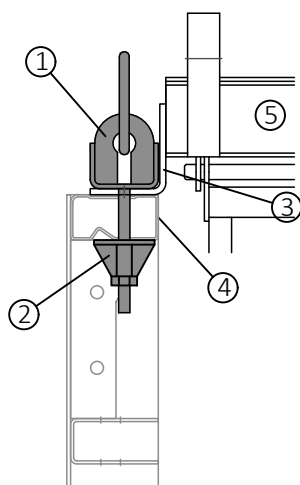


5.7 Attaching the platform

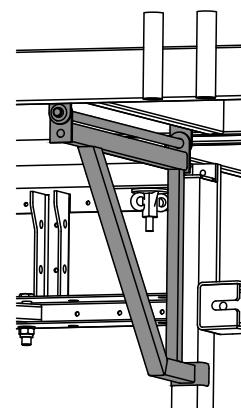
The platform is attached to the bearing angles and to the connecting tube at 3 points.



Section



- 1 Crane eye Part No. 124639
- 2 Sprint nut Part No. 680580
- 3 Platform bearing angle
- 4 Element edge profile
- 5 Platform
- 6 L-prop pin $\varnothing 16$ Part No. 697010
- 7 Spring pin $\varnothing 3.2$ Part No. 913304
- 8 Connection tube

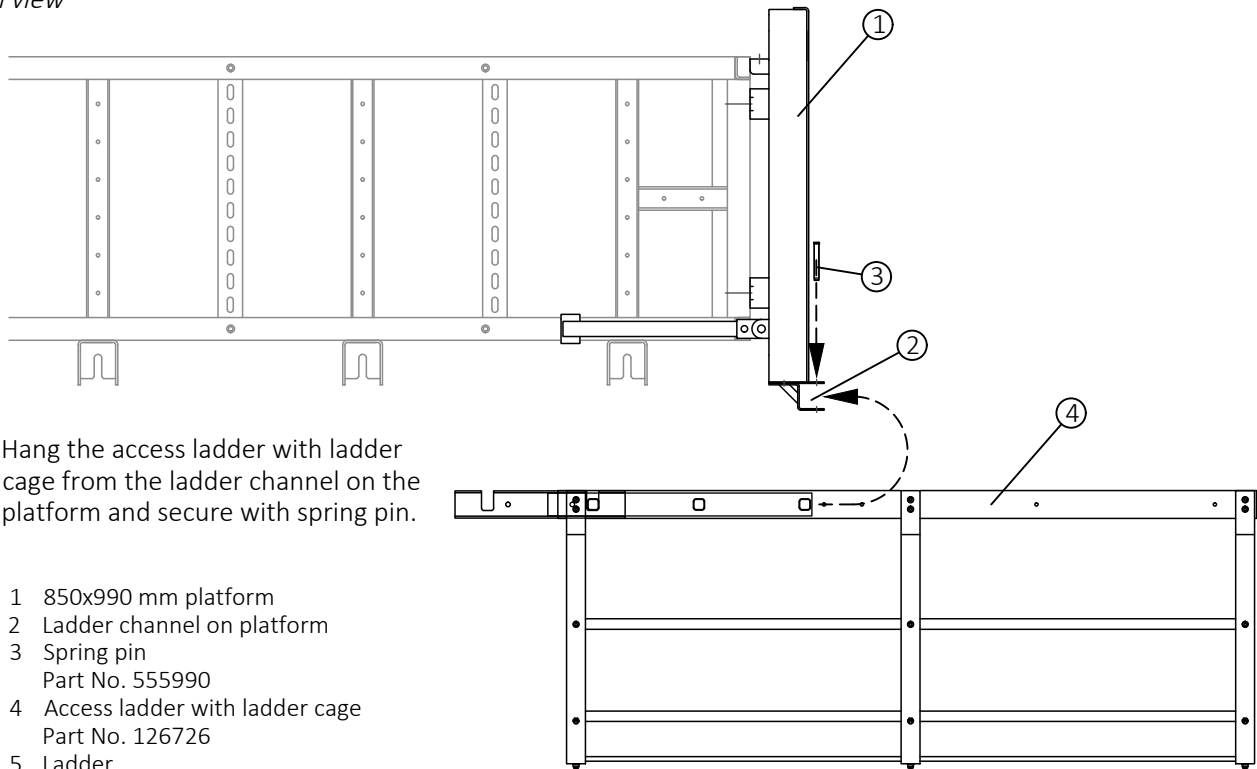


Fold out the walkway bracket and push the U-profile over the panel edge profile.

5.8 Attaching ladders and ladder cages

Hanging the access ladder with ladder cage from the platform

Plan view

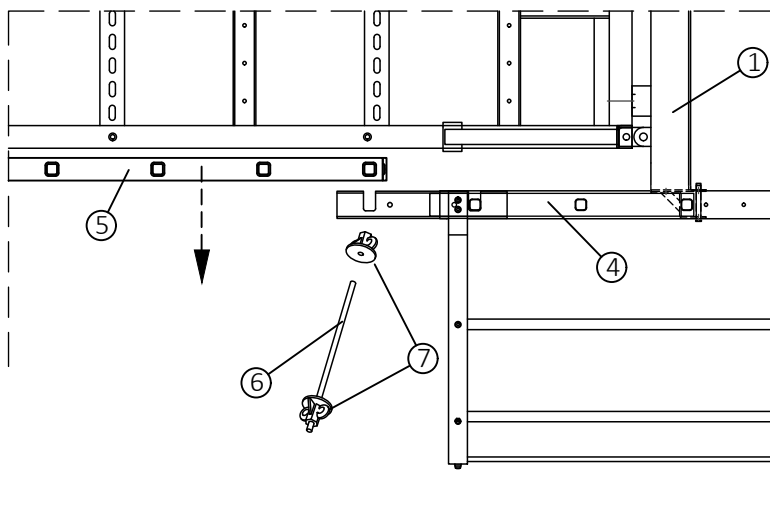


◆ Hang the access ladder with ladder cage from the ladder channel on the platform and secure with spring pin.

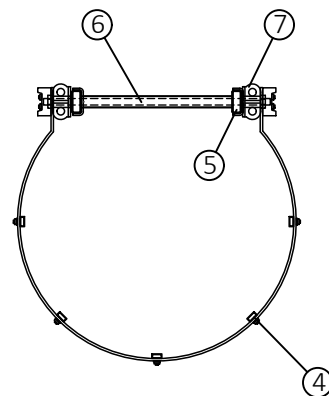
- 1 850x990 mm platform
- 2 Ladder channel on platform
- 3 Spring pin
Part No. 555990
- 4 Access ladder with ladder cage
Part No. 126726
- 5 Ladder
- 6 600 mm tie rod
Part No. 670600
- 7 Sprint nut Part No. 680580

Attaching a ladder to the access ladder with ladder cage

Plan view



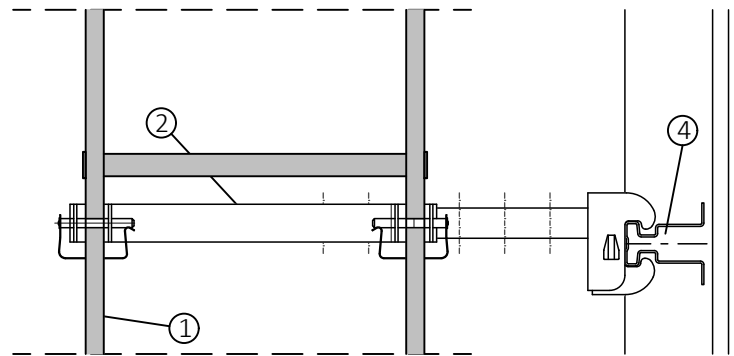
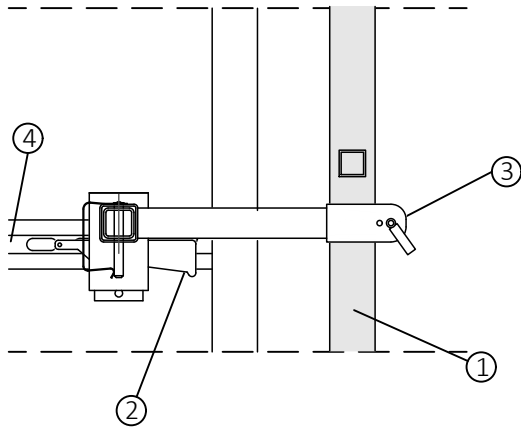
◆ Attach the ladder to the access ladder using a tie rod and Sprint nut through the top rung of the ladder.



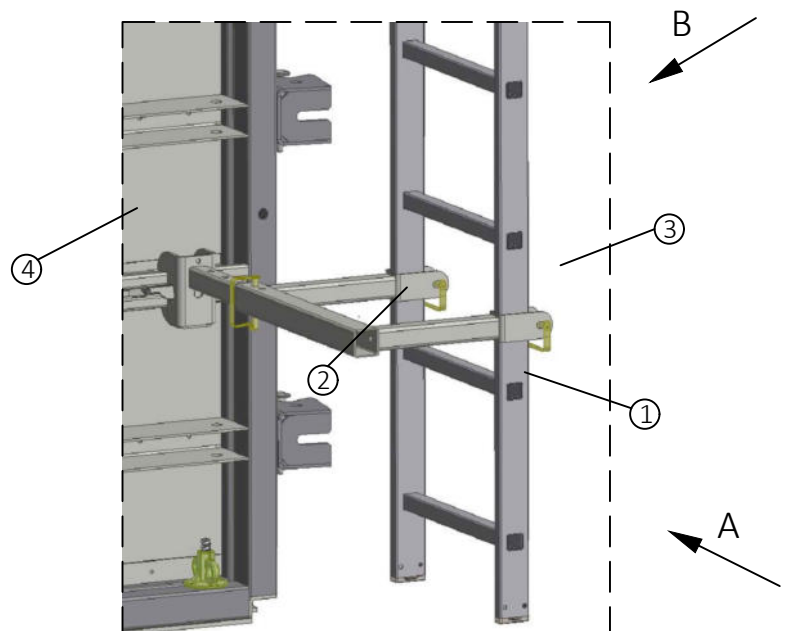
Attaching the ladder connection and ladder bracket

View A on formwork

View B on ladder



- 1 Ladder
- 2 Ladder bracket
- 3 Spring pin
- 4 Element hat profile



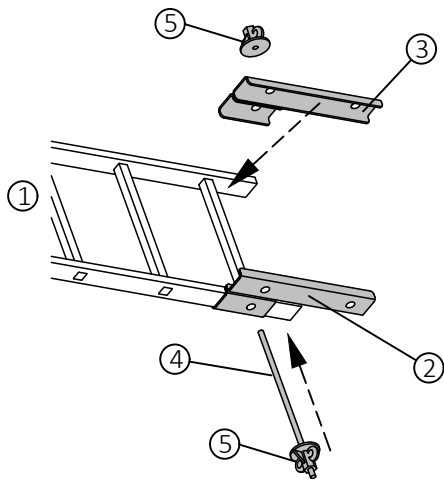
Selection of the ladders and ladder cages

The way ladders and ladder cage are configured varies according to the formwork height. The individual parts should be selected to suit the height and the accident prevention regulations or scaffolding standards.

Connecting ladders

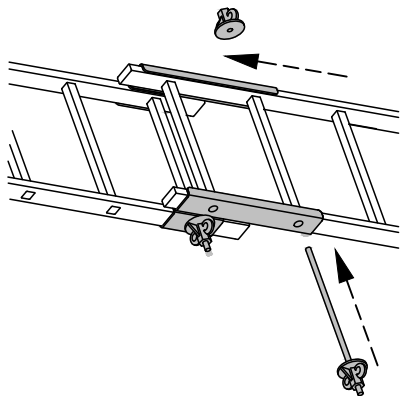
Ladders can be connected by ordinary or offset butt joints. A butt joint can be positioned anywhere in the overall length of the ladder but not within the length of the ladder cage.

Ladders offset butt jointed

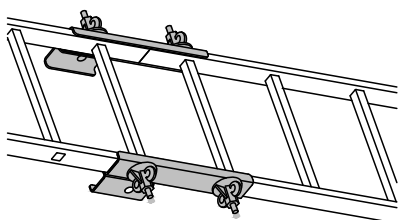


◆ Place the right and left ladder extender pieces with short side plates against the ladder stiles. Insert the tie rod with Sprint nut through the ladder extender pieces and a rung and secure with the 2nd Sprint nut.

- 1 Ladder
- 2 Ladder extender piece left
Part No. 126707
- 3 Ladder extender piece right
Part No. 126708
- 4 Tie rod 60 cm
Part No. 670600
- 5 Sprint nut
Part No. 680580



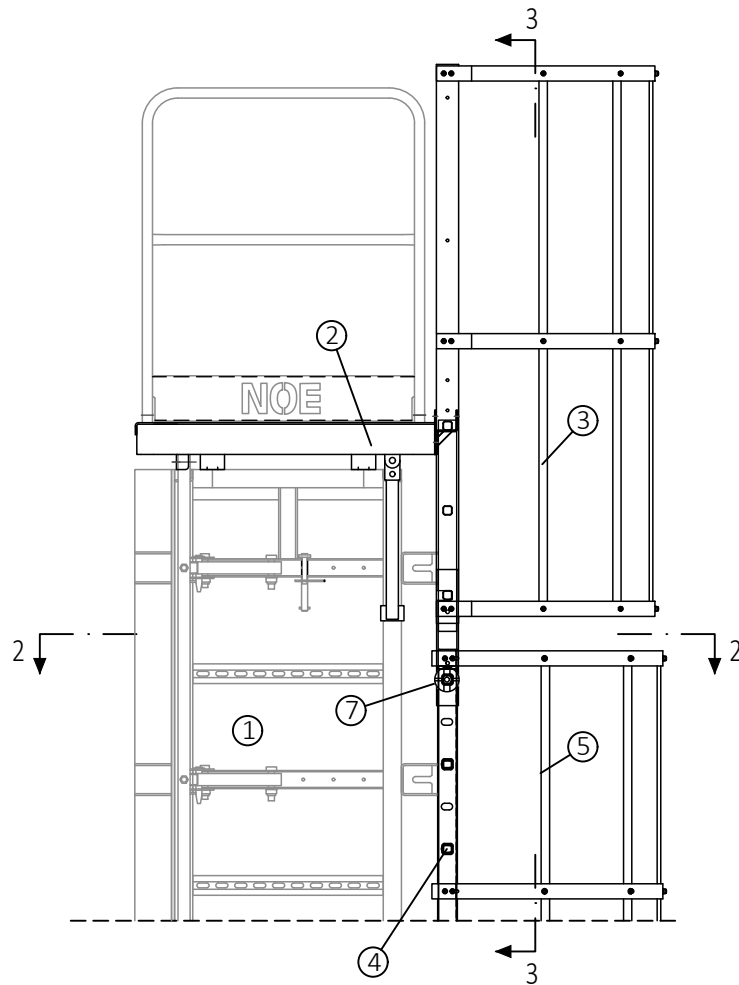
Ladders can also be extended with a simple butted connection. In this case, the ladders are connected only at the long stile ends through two holes.



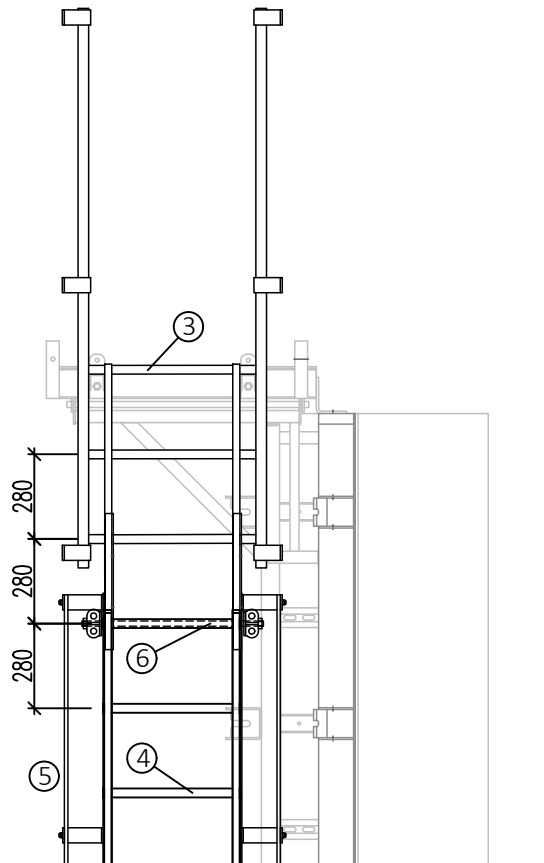
Ladders and ladder cages

Additional ladder cages should be provided for greater formwork heights in accordance with the accident prevention regulations and/or scaffolding regulations. It is fastened in place with tie rods, which are inserted through the holes in the channel and ladder rungs, and Sprint nuts. The ladder cage can be positioned at 140 mm increments within the height of the ladder.

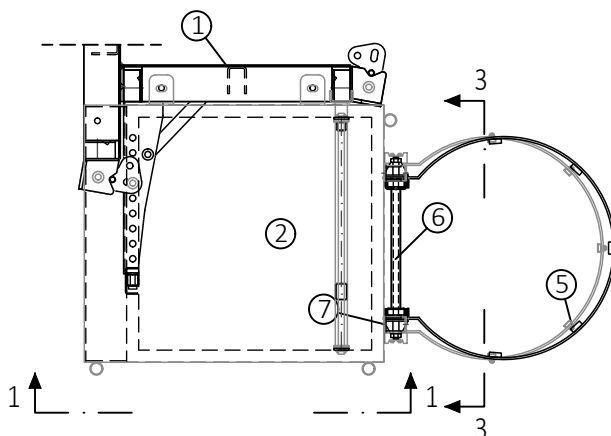
Elevation 1-1



Section 3-3



Section 2-2



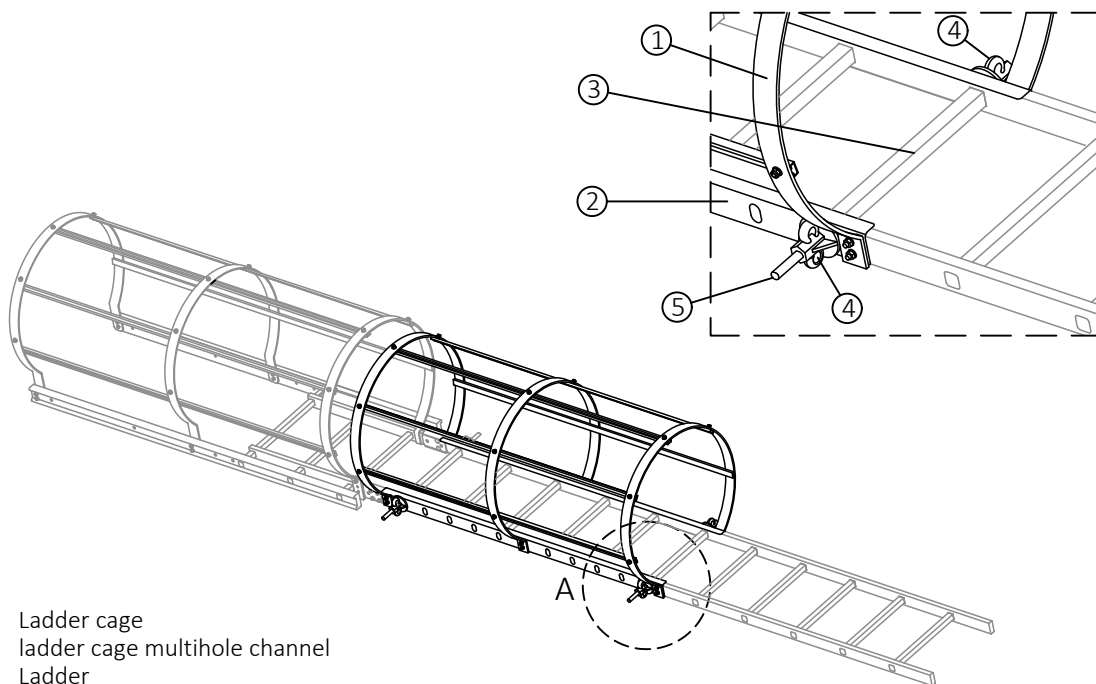
- 1 NOEtop FS panel
- 2 NOEtop FS platform
- 3 Access ladder with ladder cage
- 4 Ladder
- 5 Ladder cage
- 6 Tie rod 60 cm
Part No. 670600
- 7 Sprint nut
Part No. 680580

The ladder cage is attached in combination with the ladders. The ladders are butted within the length of the multihole channels of the ladder cages and fastened together through the rungs.

The ladders to be used must have a rung spacing of 280 mm and a width of 450 mm to allow them to be attached to the ladder cages.

See → 5.9.

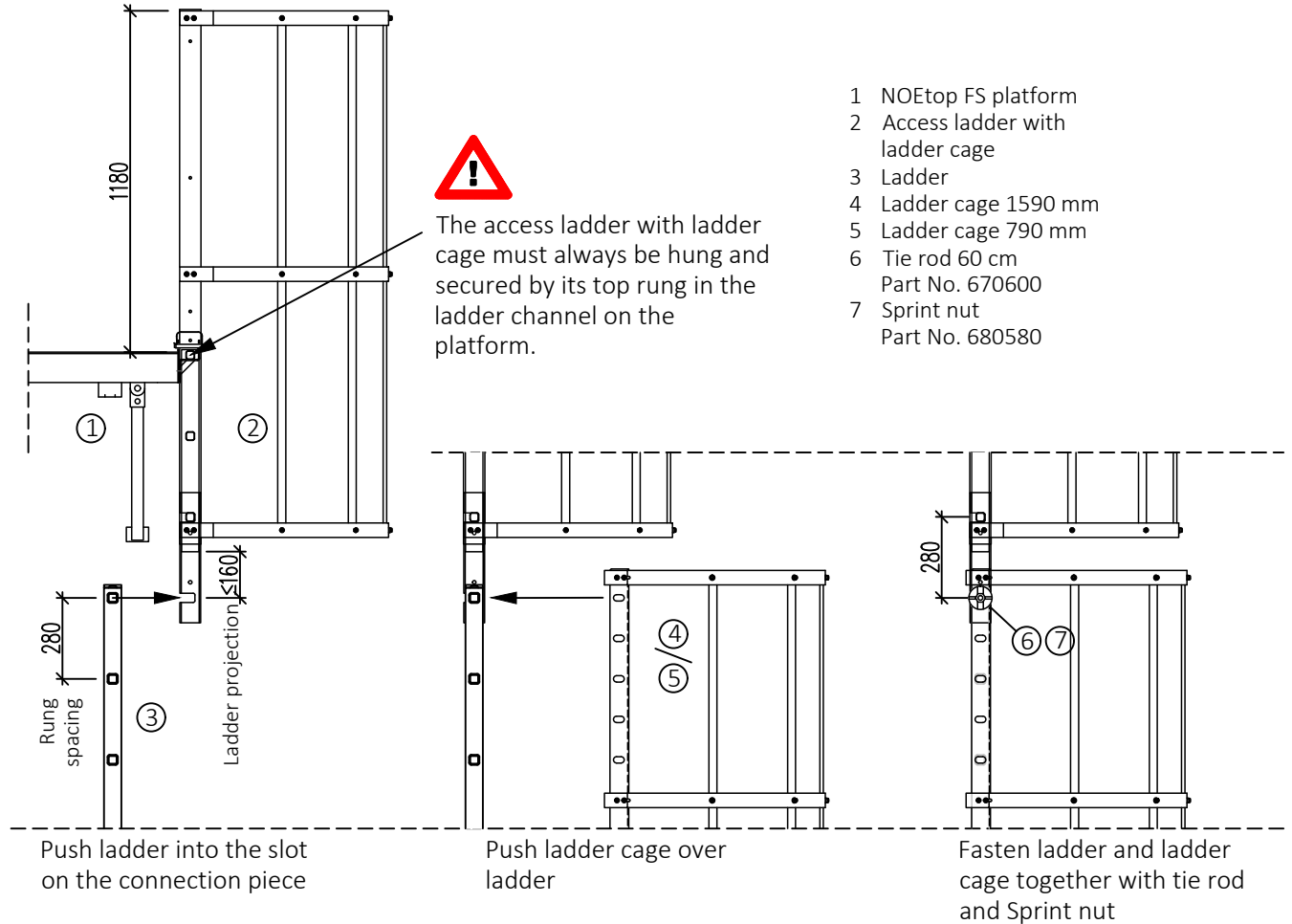
Detail A Attaching the ladder cage



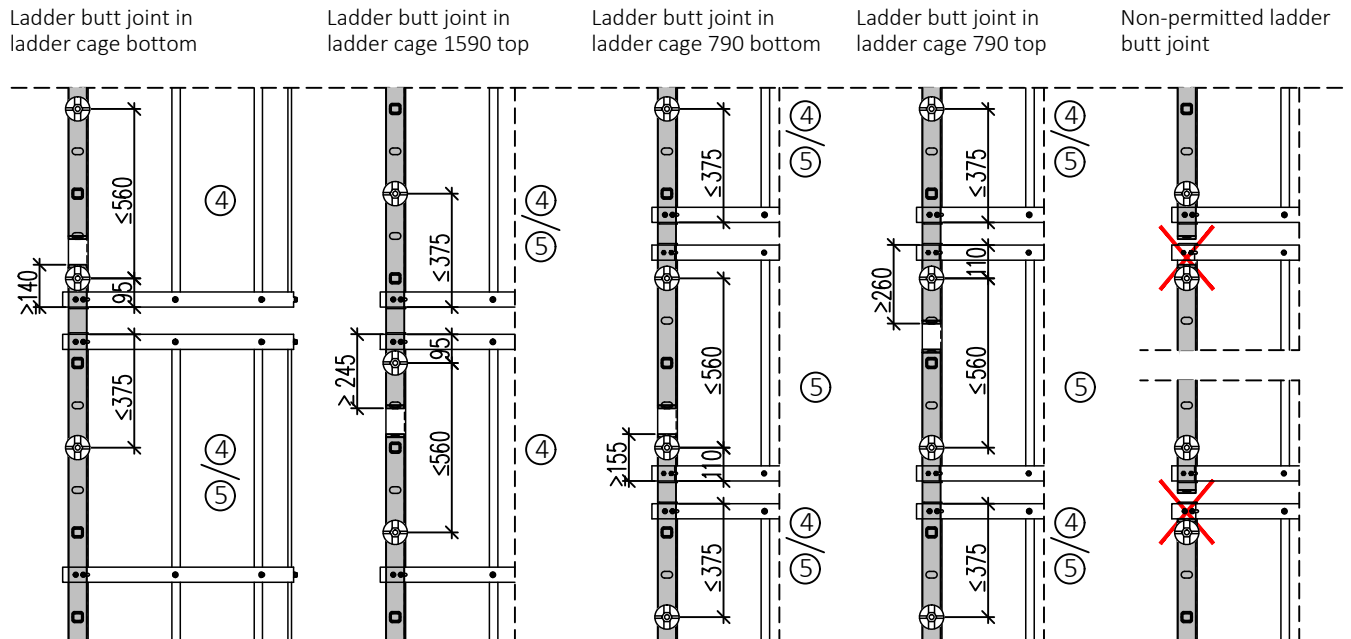
- 1 Ladder cage
- 2 ladder cage multihole channel
- 3 Ladder
- 4 Sprint nut Part No. 680580
- 5 Tie rod Part No. 670600

5.9 Rules for attaching ladders and ladder cages

Attaching the first ladder



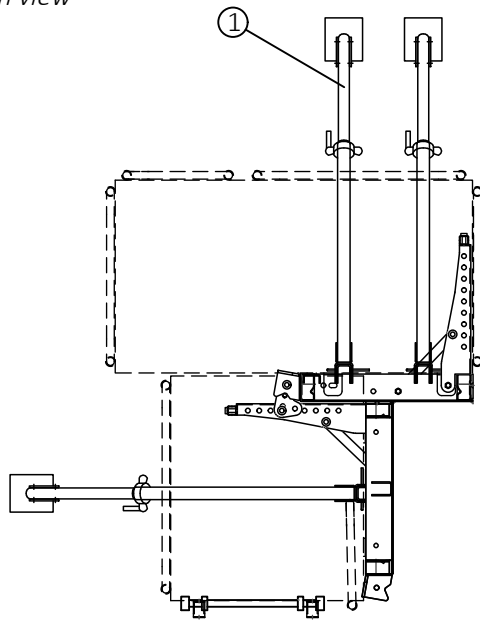
Butt joints in ladders and ladder cages



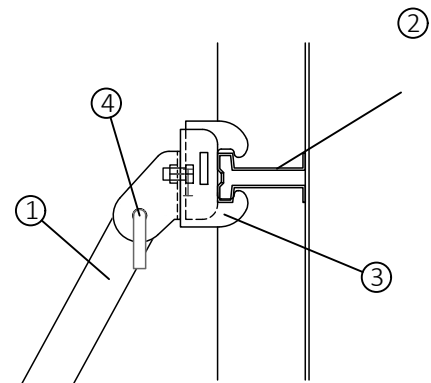
5.10 Attaching the stabilizers

3 stabilizers are attached to each column formwork set. They are attached to the panel by the NOEtop stabilizer joint clamping onto the element hat profile.

Plan view

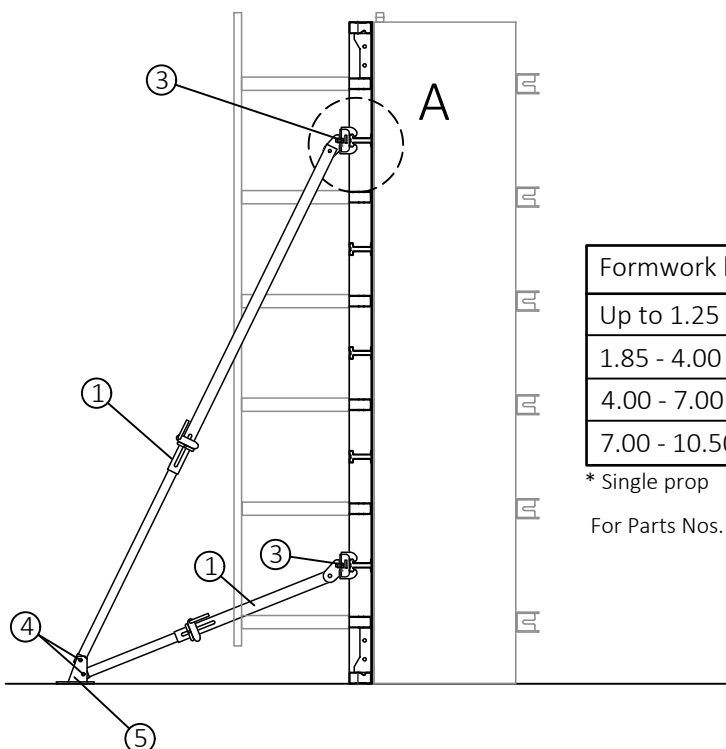


Detail A



- 1 Raking prop
- 2 Hat profile in element
- 3 Stabilizer connection
- 4 L-prop pin $\varnothing 16$ with spring pin
- 5 Bottom bearing

Section

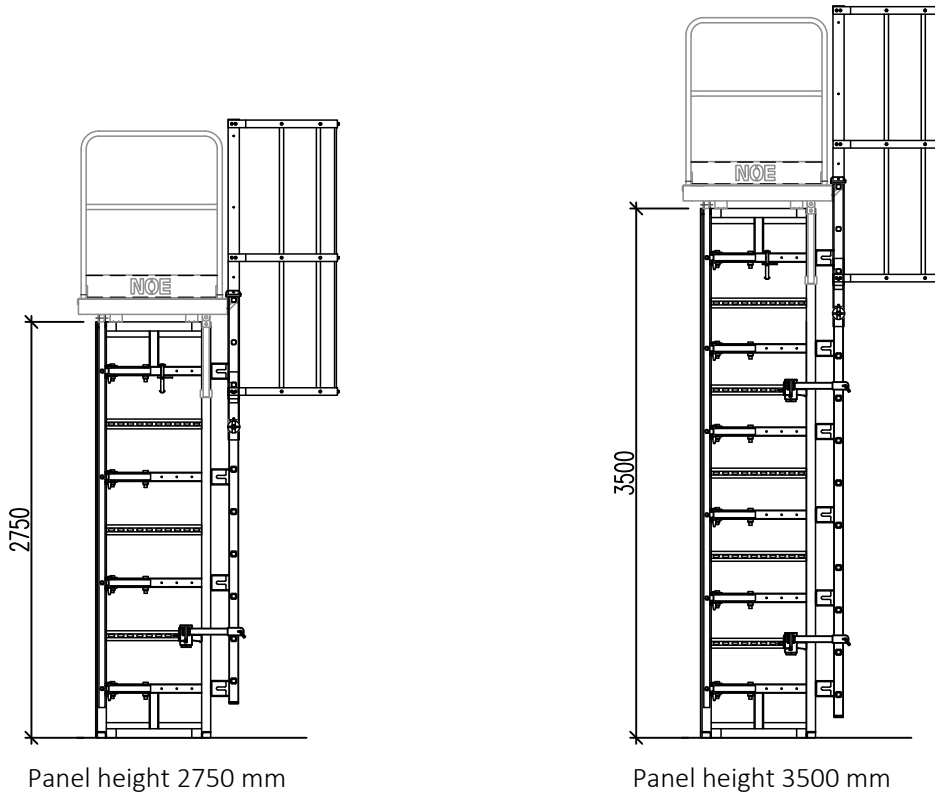


Formwork height	Propping components used
Up to 1.25 m	Raking prop 1510*
1.85 - 4.00 m	Raking prop 1510 + 3650
4.00 - 7.00 m	Raking prop 3650 + 5000
7.00 - 10.50 m	Raking prop 10300* + 1510 + 3650

* Single prop

For Parts Nos. see → 6.

6 Ladders and ladder cages for standard heights

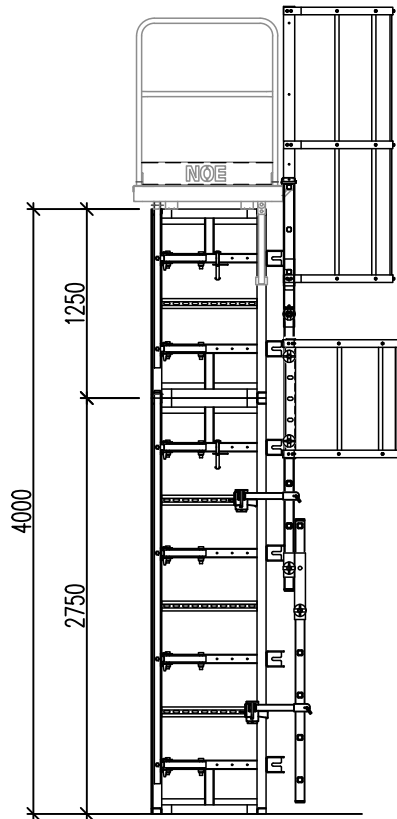


Panel height 2750 mm

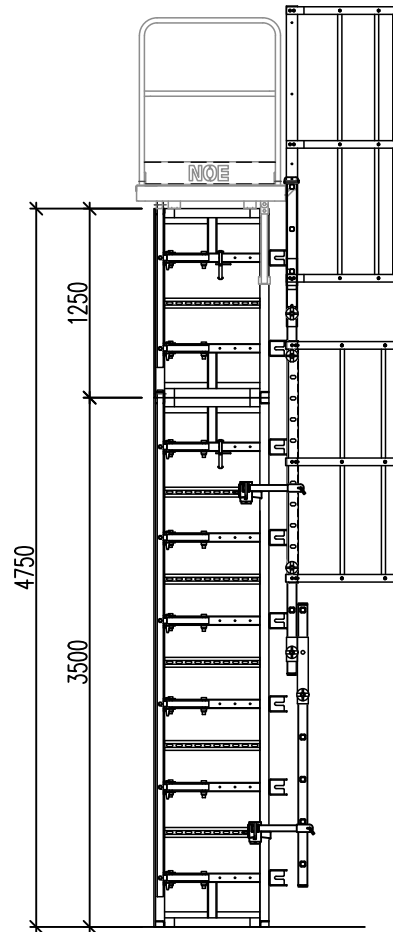
Panel height 3500 mm

Table of individual parts

2750	3500	2750	3500	2750	3500	2750	3500	mm	Panel height bottom
0	0	1250	1250	2750	2750	3500	3500	mm	Panel height extension
2750	3500	4000	4750	5500	6250	6250	7000	mm	Panel height total
									Ladders and ladder cages
								Part No.	Description
1	1	1	1	1	1	1	1	126726	PLATFORM ACC. LADDER W. LADDER CAGE
2	2	2	2	2	2	2	2	555990	SPRING PIN 12.0 X 80
				1	1	1	2	126760	LSS LADDER 2975-11
	1							126761	LSS LADDER 2695-10
		1		1	1			126762	LSS LADDER 2415-9
1		2	1	1				126763	LSS LADDER 1855-7
0	0	1	1	1	0	0	0	126708	LSS LADDER EXTENDER PIECE RIGHT
0	0	1	1	1	0	0	0	126707	LSS LADDER EXTENDER PIECE LEFT
0	0	1	0	0	1	1	0	126757	LSS LADDER CAGE 790
0	0	0	1	1	1	1	2	126725	PLATFORM LADDER CAGE 1590
1	1	5	5	5	6	6	6	670600	TIE ROD 15.1 GALV. 600 MM
2	2	10	10	10	12	12	12	680580	SPRINT NUT 80
1	2	2	2	3	3	4	4	126705	NOETOP LADDER BRACKET
Alternatively to Part no. 126705:									
1	2	2	2	3	3	4	4	126706	LSS LADDER BRACKET
1	2	2	2	3	3	4	4	126729	LSS LADDER CONNECTION
1	2	2	2	3	3	4	4	319338	HHB WITH HANDLE, CLAMP LGTH. 125 MM

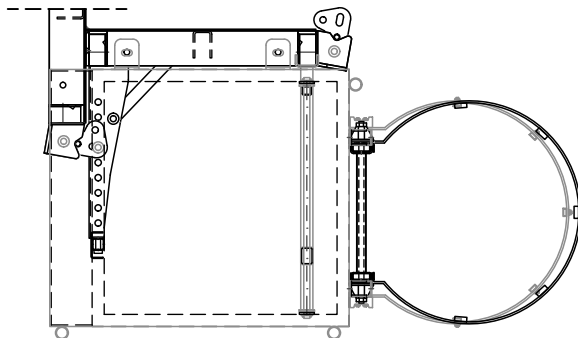


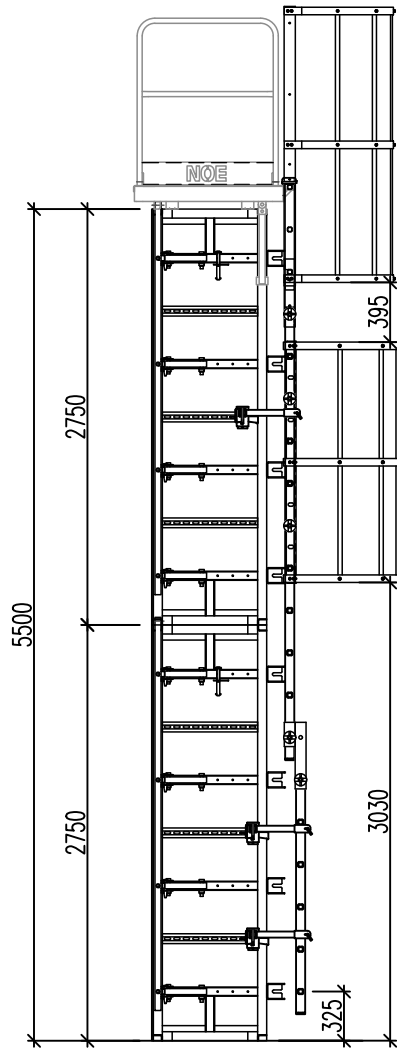
Panel height:
 bottom 2750 mm
 Extension 1250 mm
 Total 4000 mm



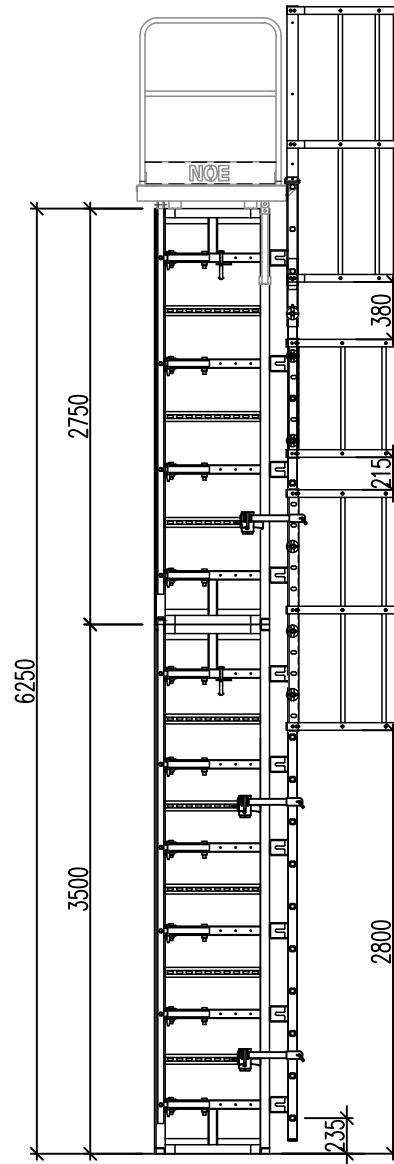
Panel height:
 bottom 3500 mm
 Extension 1250 mm
 Total 4750 mm

Plan view

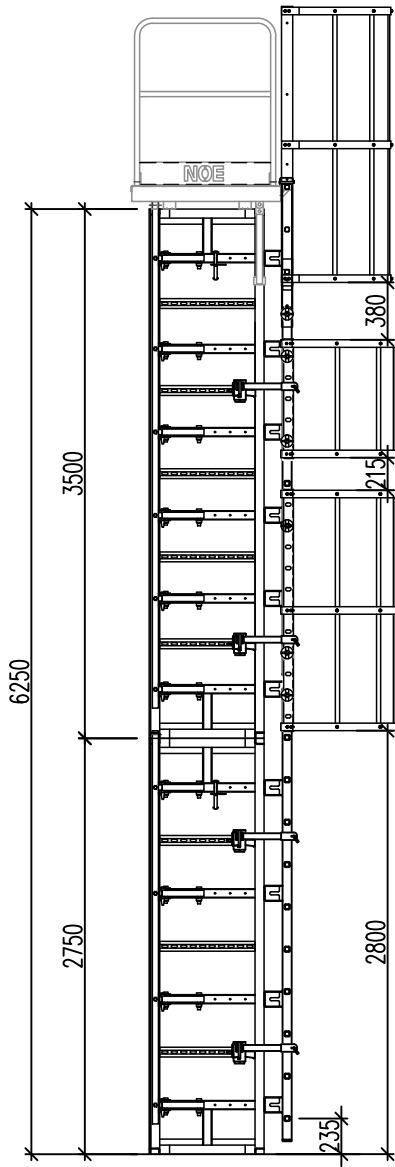




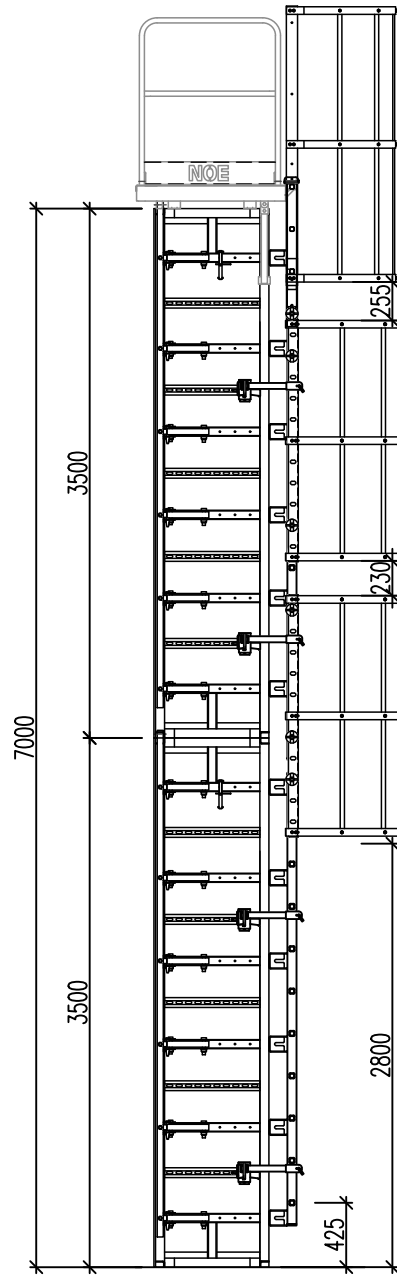
Panel height:	
bottom	2750 mm
Extension	2750 mm
Total	5500 mm



Panel height:	
bottom	3500 mm
Extension	2750 mm
Total	6250 mm



Panel height:
 bottom 2750 mm
 Extension 3500 mm
 Total 6250 mm

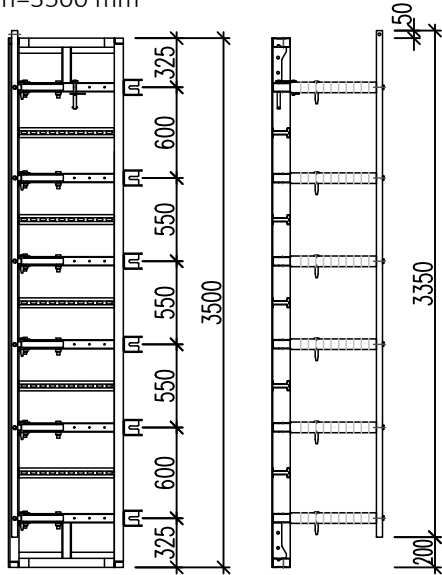


Panel height:
 bottom 3500 mm
 Extension 3500 mm
 Total 7000 mm

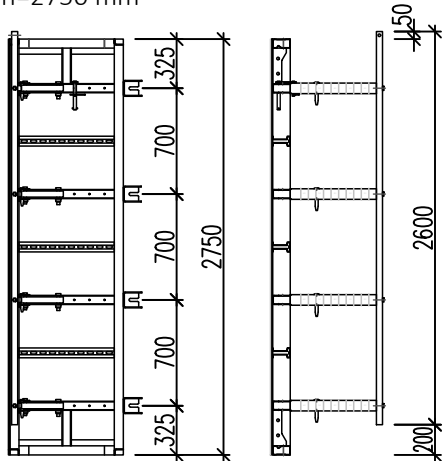
7. Individual parts

7.1 NOEtop FS column panels

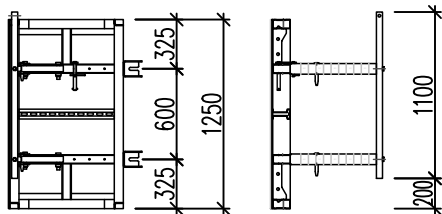
◆ h=3500 mm



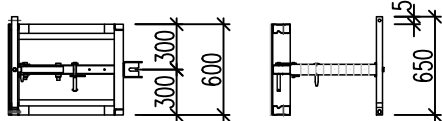
◆ h=2750 mm



◆ h=1250 mm



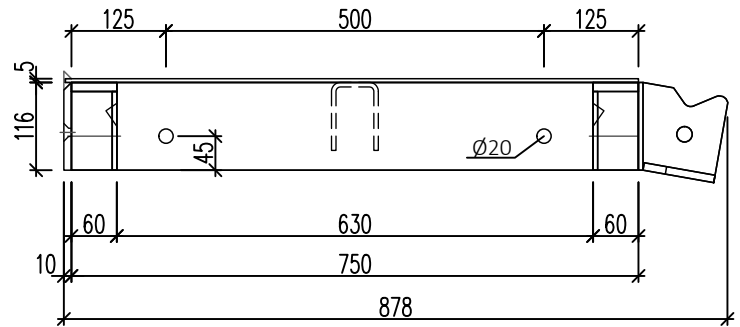
◆ h=600 mm



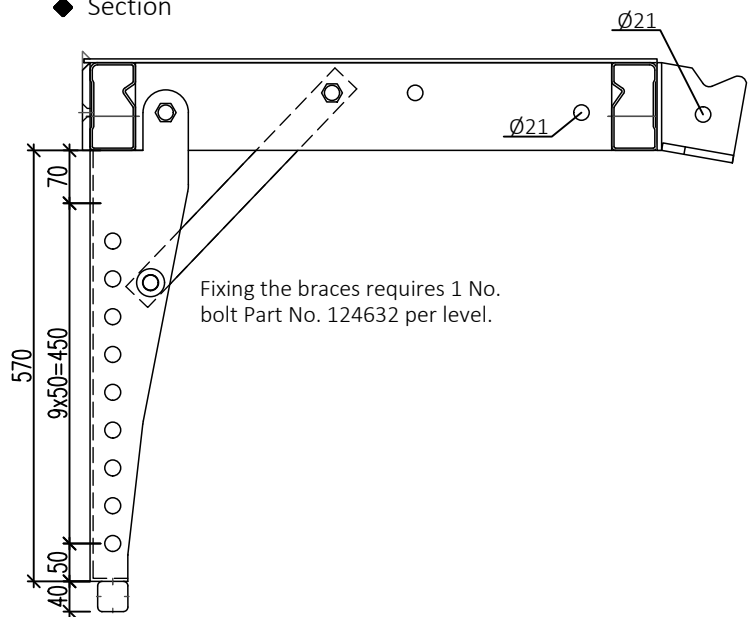
NOEtop FS element	Part No.	Weight kg	m ²
Steel 750 x 3500	124566	330	2,63
Steel 750 x 2750	124564	248	2,06
Steel 750 x 1250	124562	123	0,94
Steel 750 x 600	124560	63	0,45

Plus triangular chamfer strips.

◆ Plan view



◆ Section



NOEtop FS

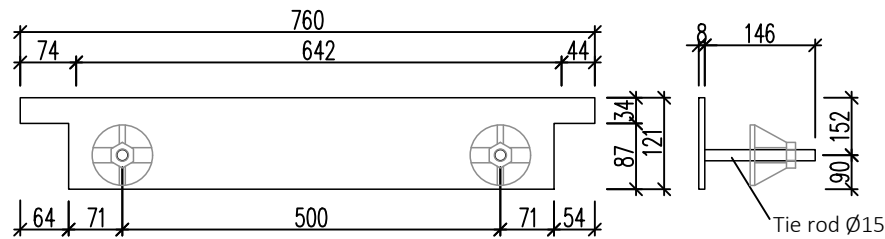


NOEtop FS S sheet

For bolting onto the underside of the panels
(are supplied already installed)

Part No. 124608

Weight 5.5 kg



NOEtop FS S triangular chamfer strip

For clamping onto the facing

Part No. 841201

Packaging unit 25 lm

Weight 2.9 kg



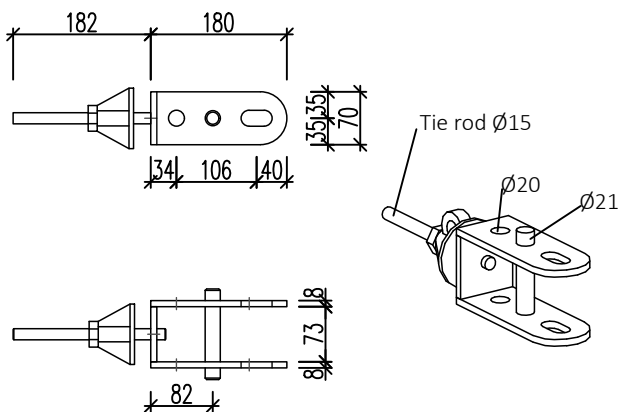
Plus 2 Sprint nuts Part No. 680580

NOEtop FS S safety bow

For connecting at the stripping butt joint

Part No. 124635

Weight 2.9 kg

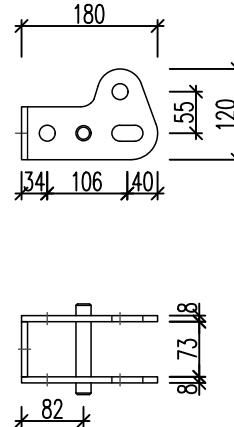


NOEtop FS S hinge

For connecting at standard butt joints

Part No. 124637

Weight 1.9 kg



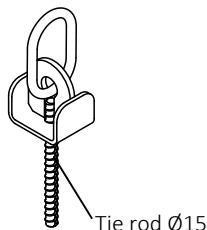
7.2 Miscellaneous accessories

NOEtop FS crane suspension

For bolting at the panel profile

Part No. 124639

Weight 1.3 kg



Tie rod Ø15

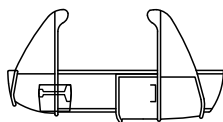
Plus Sprint nut Part No. 680580

NOEtoplock

For extending formwork panels

Part No. 137976

Weight 3.7 kg



NOE M18x160

For extending formwork panels

	Part No.	Description	Packaging unit
M18	360346	Bolt M18x160 DIN 931	25
	370026	Hexagonal nut M18 DIN 934	100
	380028	Plain washer A19 DIN 125	250

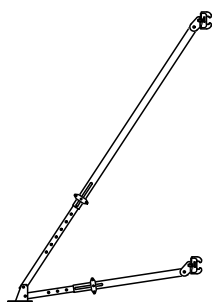
NOE stabilizers

The combination of stabilizer components depends on the formwork height. The stabilizers consist of base plate, prop and stabilizer connection, which is used to clamp onto the panel profile.

As an alternative to the stabilizer connection, the end hinge (Part No. 697012) can be attached with a hammer-head bolt (Part No. 319338) to the panel profile.

➔ 3 stabilisers are required for each column formwork set.

Requirement list for individual stabilizers



	Part No.	Inclined prop* 1510 mm	Stabilizer** 3650 mm	Stabilizer** 5000 mm
Bottom bearing	697014	1	1	1
Stabilizer connection	697032	1	2	2
Prop 1.00-1.51 m	697026	1	1	
Prop 2.10-3.65 m	697027		1	1
Prop 2.77-5.00 m	697028			1
NOE L-prop pin Ø16	697010	2	4	4
NOE spring pin Ø3.6	913304	2	4	4
Weight per prop		15.5 kg	36.2 kg	52.5 kg

* Lower prop only

** Consisting of an upper and lower prop

Assembly as required per formwork set see ➔ 7.

NOEtop lifting pin with catch

Part No. 136808

Weight 0.66 kg

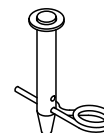


NOEtop FS bolt Ø20 150 mm

Including spring pin

Part No. 124632

Weight 1.3 kg



NOE L-prop pin Ø16

Part No. 697010

Weight 0.34 kg



NOE spring pin Ø3.6

For L-prop pin Ø16

Part No. 913304

Weight 0.02 kg



NOEtop FS



7.3 Individual platform and ladder parts

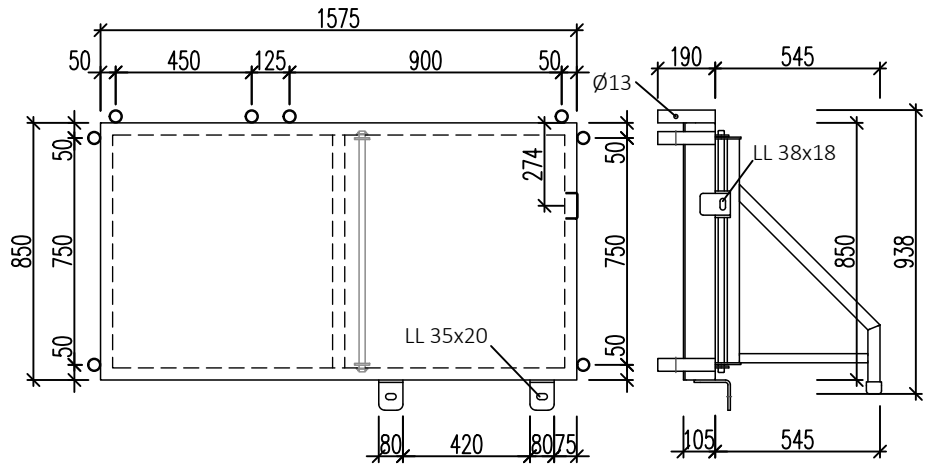
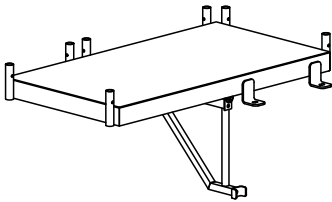
NOEtop FS platform

850x1575

Including guardrails, brackets, connection angles, as shown.

Part No. 124641

Weight 97 kg



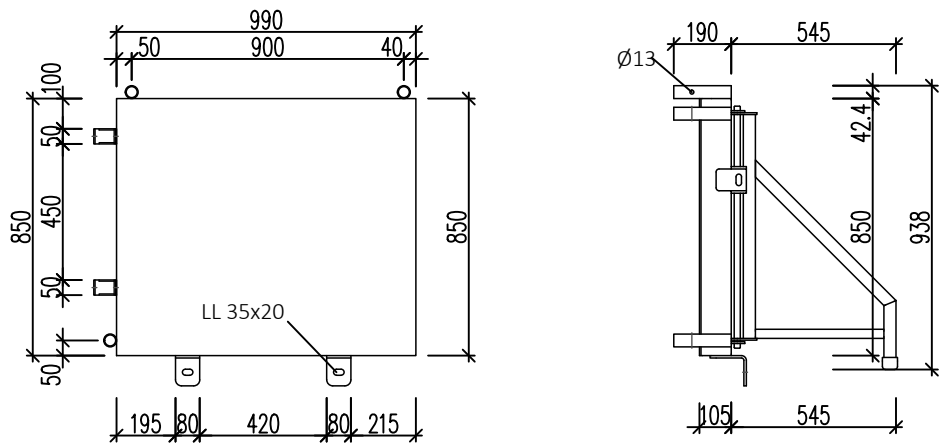
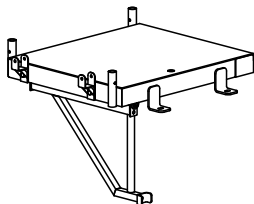
NOEtop FS platform

850x990

Including guardrails, brackets, connection angles, as shown.

Part No. 124640

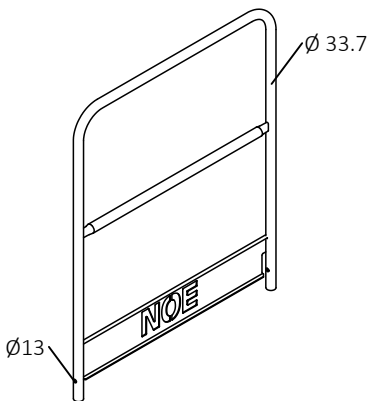
Weight 67 kg



NOEtop FS guardrail 900

Part No. 124645

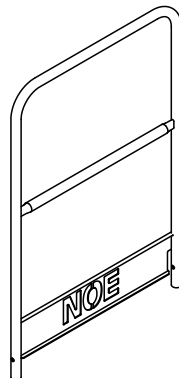
Weight 15.0 kg



NOEtop FS guardrail 750

Part No. 126721

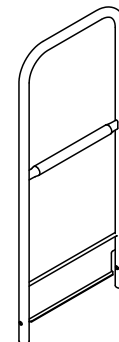
Weight 13.5 kg



NOEtop FS guardrail 450

Part No. 124646

Weight 10.8 kg



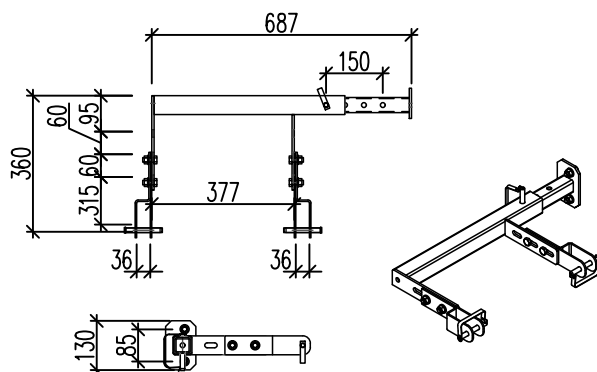
Each plus 2 spring pins Part No. 555990 to secure the connection

NOEtop FS



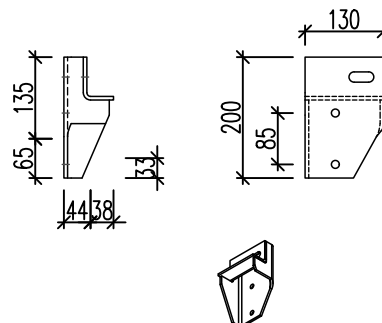
LSS ladder bracket

Including 3 spring pins to secure the connection and 6 M12x30 pins for the ladder connection
 Part No. 126706
 Weight 5.3 kg



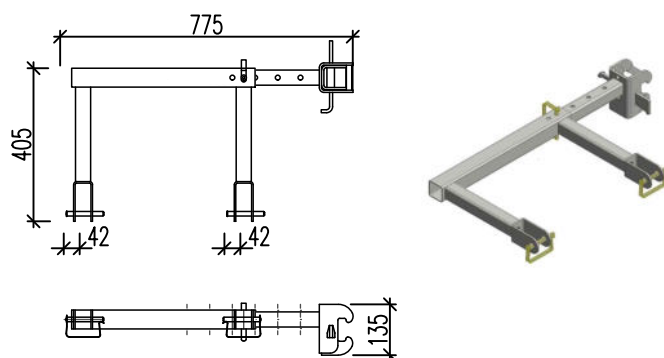
LSS ladder connection

Part No. 126729
 Weight 2.3 kg
 Plus hammer-head bolt Part No. 319338



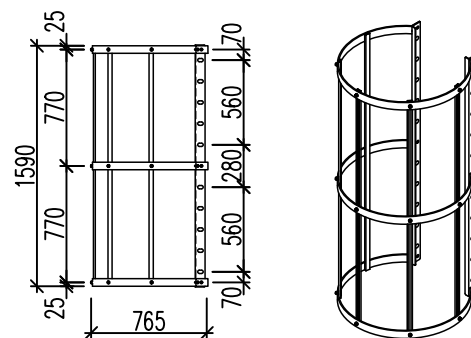
NOEtop ladder bracket

Part No. 126705 Alternatively to LSS ladder bracket with LSS ladder connection
 Weight 8.4 kg



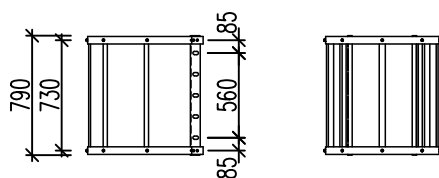
Ladder cage 1590

Part No. 126725
 Weight 14.5 kg



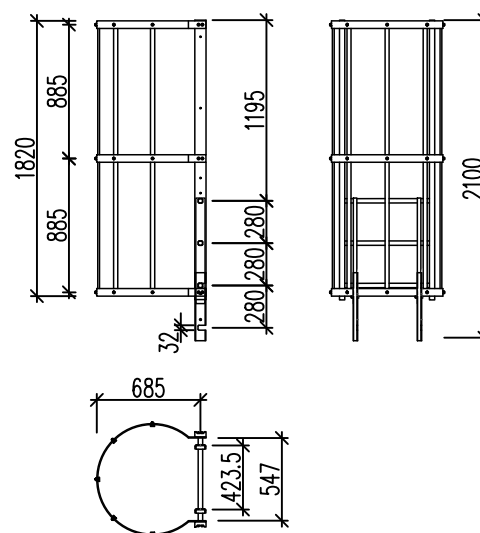
Ladder cage 790

Part No. 126757
 Weight 7.8 kg



Platform access ladder with ladder cage

Part No. 126726
 Weight 15.1 kg



The items below are the minimum required for fastening each ladder cage:
 2 tie rods 60 cm Part No. 670600
 4 Sprint nut Part No. 680580

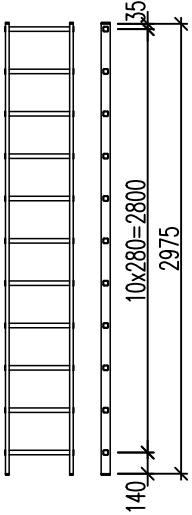
Plus 2 spring pins Part No. 555990 to secure the connection in the ladder support

NOEtop FS



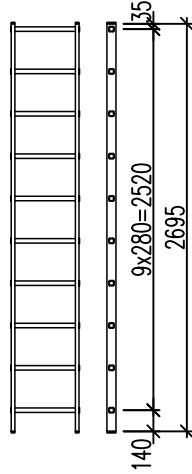
Ladder 2975-11

Part No. 126760
Weight 7.8 kg



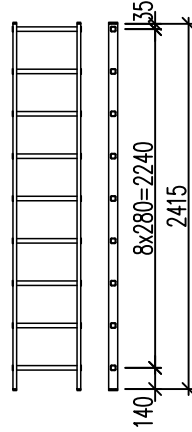
Ladder 2695-10

Part No. 126761
Weight 7.0 kg



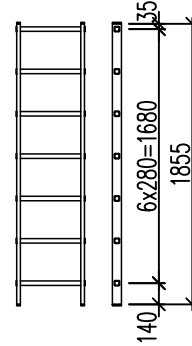
Ladder 2415-9

Part No. 126762
Weight 6.3 kg



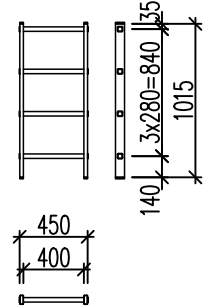
Ladder 1855-7

Part No. 126763
Weight 4.9 kg



Ladder 1015-4

Part No. 126764
Weight 2.7 kg

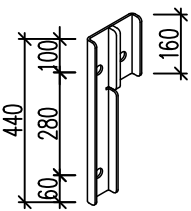


Each ladder butt joint requires the following items:

No.	Part No.	Description
1	126707	Ladder extender piece left
1	126708	Ladder extender piece right
2	670600	Tie rod 60 cm
4	680580	Sprint nut

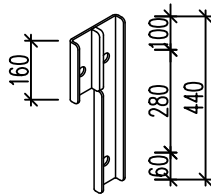
Ladder extender piece left

Part No. 126707
Weight 2.6 kg



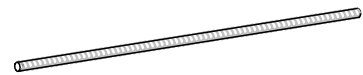
Ladder extender piece right

Part No. 126708
Weight 2.6 kg



Tie rod Ø15

L=60 cm
Part No. 670600
Weight 0.82 kg



Sprint nut

Part No. 680580
Weight 0.69 kg



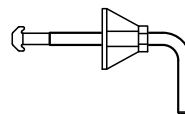
NOE spring pin

Part No. 555990
Weight 0.11 kg



Hammer-head bolt

Part No. 319338
Weight 1.15 kg



8 Tables showing individual formwork part combinations

NOEtop FS with steel facing

Part No.	Description	Height in mm	3500			
			2750	1250	600	
124566	NOEtop FS element S 750x3500 mm	4				
124564	NOEtop FS element S 750x2750 mm		4			
124562	NOEtop FS element S 750x1250 mm			4		
124560	NOEtop FS element S 750x 600 mm				4	
124632	NOEtop FS bolt D20-150	68	46	24	13	
124608	NOEtop FS sheet S	4	4	4	4	
680580	Sprint nut 80	8	8	8	8	
124635	NOEtop FS safety bow S	6	4	2	1	
124637	NOEtop FS hinge S	18	12	6	3	
841201	Double triangular chamfer strip 15X5 white, packaging unit 25 lm (installed on site)					

Table of stabilizers, depends on the formwork height

Part No.	Description	Formwork height in mm	≤ 1500			
			≤ 4000	≤ 7000	≤ 10500	
697026	Push-Pull Brace 1.00- 1.51 m		3	3		3
697027	Push-Pull Brace 2.10- 3.65 m			3	3	3
697028	Push-Pull Brace 2.77- 5.00 m				3	
697036	Push-Pull Brace 6.40- 10.30 m					3
697014	Supporting plate for raking props		3	3	3	6
697010	L-prop pin D16		6	12	12	18
913304	Spring pin D4 wire 3.6		6	12	12	18
697032	NOEtop stabilizer joint		3	6	6	9

For each set of NOEtop FS extension and bottom panels

Part No.	Description	No.
	For butt joint with no sheet	
318900	Hex. bolt M18X160 + nut + plain washer	8
	<u>Alternatively</u> for butt joint with sheet	
137976	NOE Toplock V	8
	Additionally for 600 mm height	
697010	L-prop pin D16	4
913304	Spring pin D4 wire 3.6	4



NOEtop FS platform and ladder access

Part No.			
124639	NOEtop FS crane suspension	6	4 x for attaching the platforms, 2 x for crane transport of half sets without platforms.
680580	Sprint nut 80	6	
124640	NOEtop FS platform 850x 990 mm	1	
124641	NOEtop FS platform 850x1575 mm	1	
124645	NOEtop FS guardrail 900 mm	2	
126721	NOEtop FS guardrail 750 mm	2	
124646	NOEtop FS guardrail 450 mm	1	
555990	Spring pin 12 X 80	10	
697010	L-prop pin D16	2	
913304	Spring pin D4 wire 3.6	2	

NOEtop FS ladders and ladder cages

Part No.			
126726	Platform access ladder with ladder cage	1	
555990	Spring pin 12 X 80	2	
126725	Ladder cage 1590 mm		The number of parts required depends on the formwork height and combination.
126757	Ladder cage 790 mm		
126740	Ladder 1960 mm		
126741	Ladder 2800 mm		The connection of the ladders with the ladder cage is done with tie rods and Sprint nuts through the ladder rungs.
126742	Ladder 3640 mm		
126705	NOEtop ladder bracket	1	1 x ladder connection and bracket and 1 x additional at the base of the bottom ladder.
Ladder bracket with connection to hat profile			
126729	LSS ladder connection	1	
126706	LSS ladder bracket	1	
319338	Hammer-head bolt handle, head length 125 mm	1	
126707	Ladder extender piece left	1	Für Verlängerung einer Leiter außerhalb vom Rückenschutz, stumpf oder versetzt gestoßen.
126708	Ladder extender piece right	1	
670600	Tie rod D15,1 600 mm	2	
680580	Sprint nut 80	2	



NOE-Schaltechnik Georg Meyer-Keller GmbH + Co. KG

Kuntzestrasse 72, 73079 Süssen, Germany

T + 49 7162 13-1

F + 49 7162 13-288

info@noe.de

www.noe.eu

Belgium

NOE-Bekistingtechniek N.V.

info@noe.be

www.noe.eu

Netherlands

NOE-Bekistingtechniek b.v.

info@noe.nl

www.noe.eu

Poland

NOE-PL Sp. Zo.o.

noe@noe.pl

www.noe.pl

France

NOE-France

info@noefrance.fr

www.noe.eu

Austria

NOE-Schaltechnik

noe@noe-schaltechnik.at

www.noe.eu

Switzerland

NOE-Schaltechnik

info@noe.ch

www.noe.eu