



DIE SCHALUNG

# NOE® WinDoor



# NOE® WinDoor for door and window openings





### Efficient

NOE® WinDoor formwork can be used a number of times, unlike individually constructed solutions. The system's ease of use makes assembly and installation quick and easy. This saves time, labour and material costs.

### Sustainable

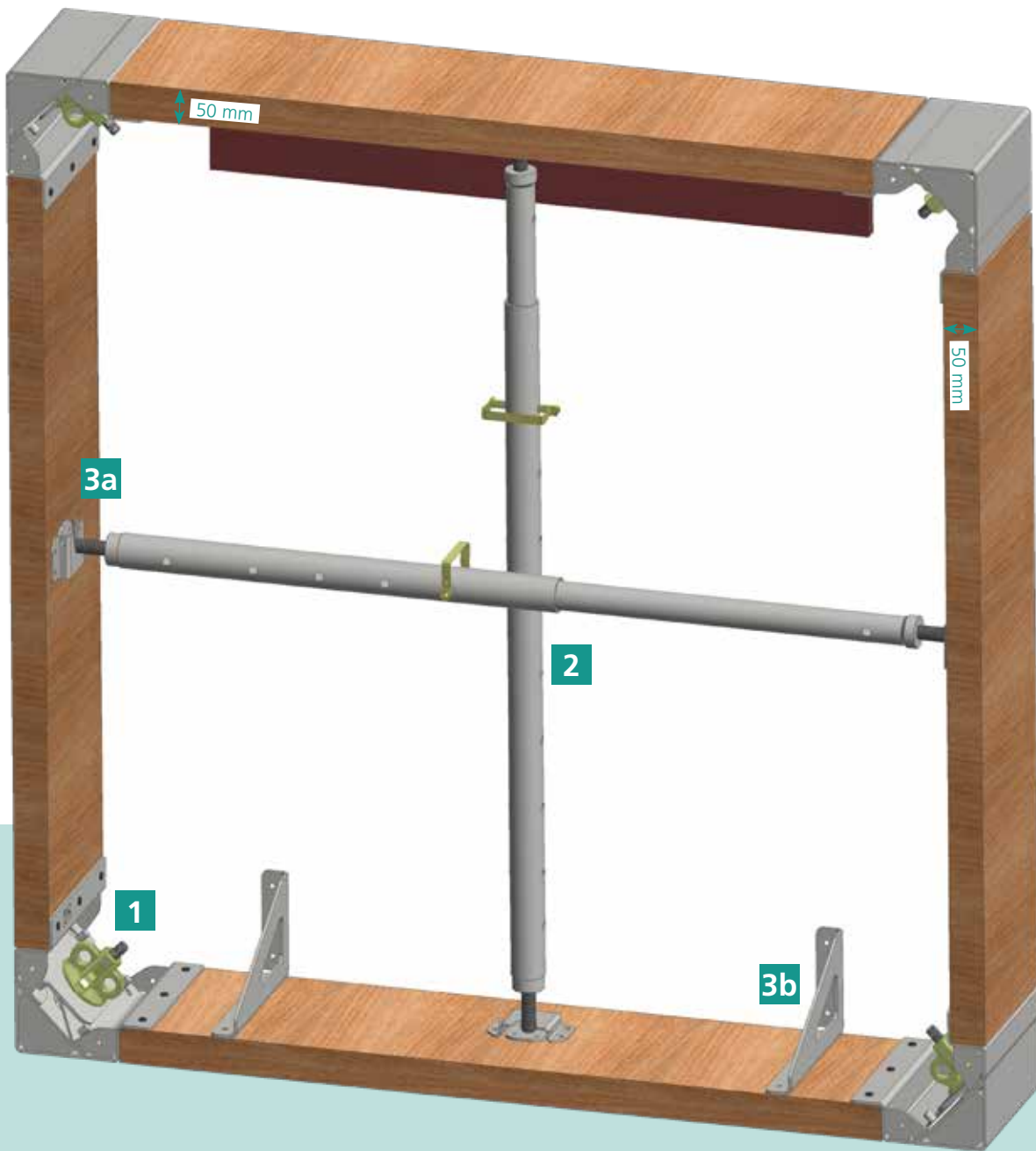
High-quality materials and workmanship mean NOE WinDoor can be reused many times, producing a consistent quality of results. The NOE solution requires less wood and is kinder to the environment.

### Flexible

Having only a few individual components, the opening formwork is quickly and systematically assembled, with flexibility of use ensured by varying the length of the intermediate pieces. NOE WinDoor can be combined with any wall formwork and adjusted to various wall thicknesses, opening widths and heights. The telescopic props allow precise adjustment of the door and window openings.

NOE WinDoor is suitable for

- Widths from 68 cm
- Wall thicknesses 20 cm, 24 cm, 25 cm and 30 cm
- Heights up to 250 cm
- other dimension on request



The formwork for door and window openings is installed in next to no time using only a few individual elements.

Stripping is done in one piece.



### Opening corner, galvanised

1

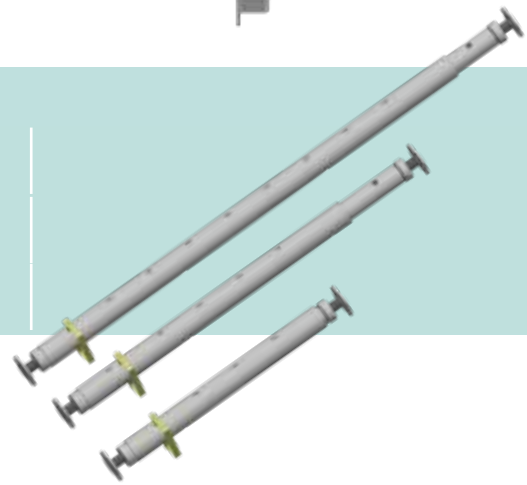
335000	WT 200 mm
335001	WT 240 mm
335002	WT 250 mm
335003	WT 300 mm



### Prop, galvanised

2

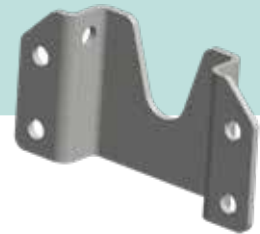
335020	0.55 - 0.90 m
335021	0.85 - 1.30 m
335022	1.18 - 2.00 m



### Accessories, galvanised

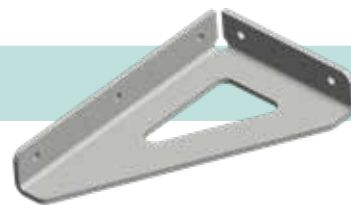
3a

335030	Prop bearing
--------	--------------



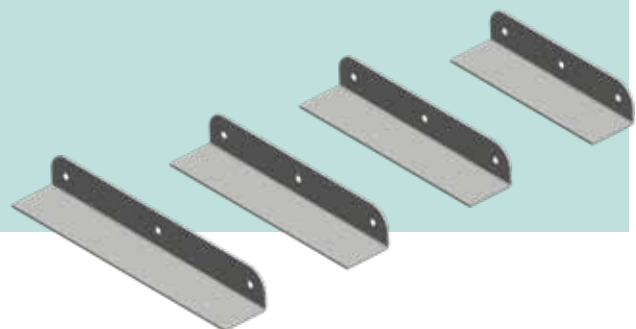
3b

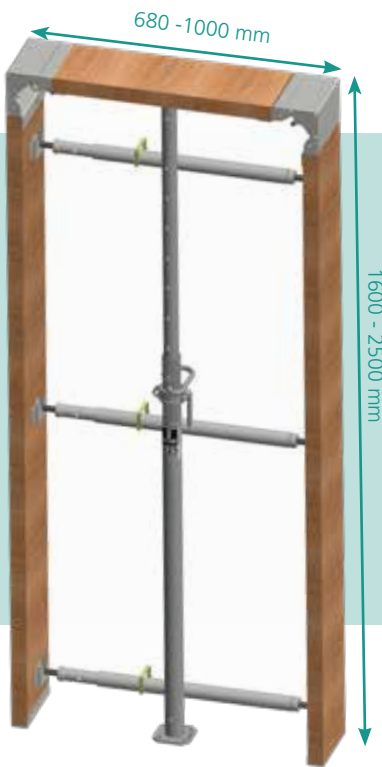
335031	Support bracket 250 x 150 mm
--------	------------------------------



### Door angle, galvanised

335040	WT 200 mm
335041	WT 240 mm
335042	WT 250 mm
335043	WT 300 mm

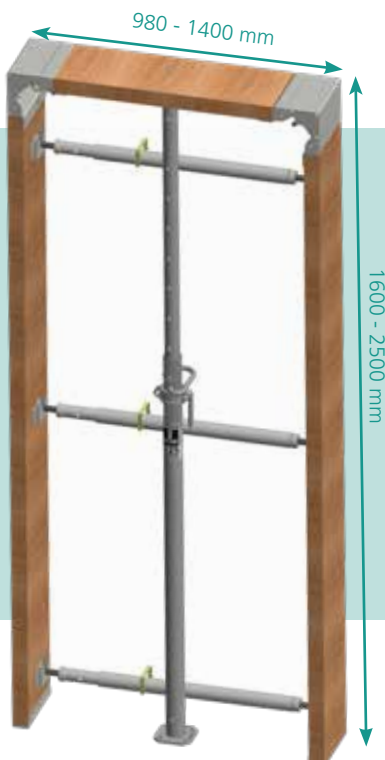




### Door set S

335000	Opening corner WT 200	2 No.
335030	Prop bearing	6 No.
335020	Prop 0.55 - 0.9 m	3 No.
335040	Door angle WT 200	2 No.
697725	Euro-prop BD 25	1 No.

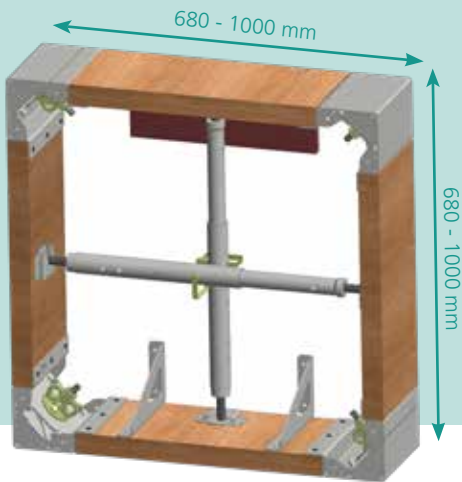
## NOE WinDoor also in set



### Door set M

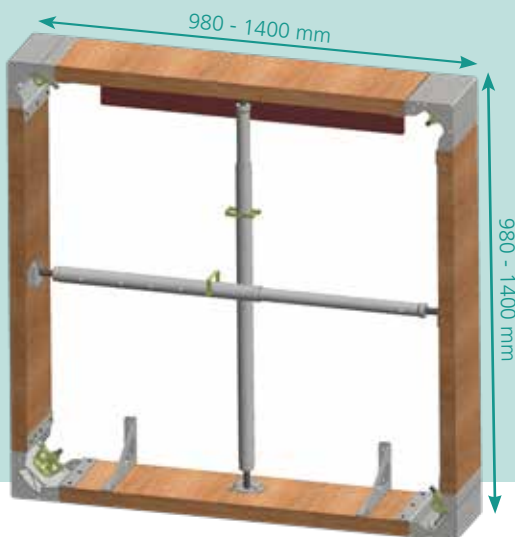
335000	Opening corner WT 200	2 No.
335030	Prop bearing	6 No.
335021	Prop 0.85 - 1.3 m	3 No.
335040	Door angle WT 200	2 No.
697725	Euro-prop BD 25	1 No.

## Window set S



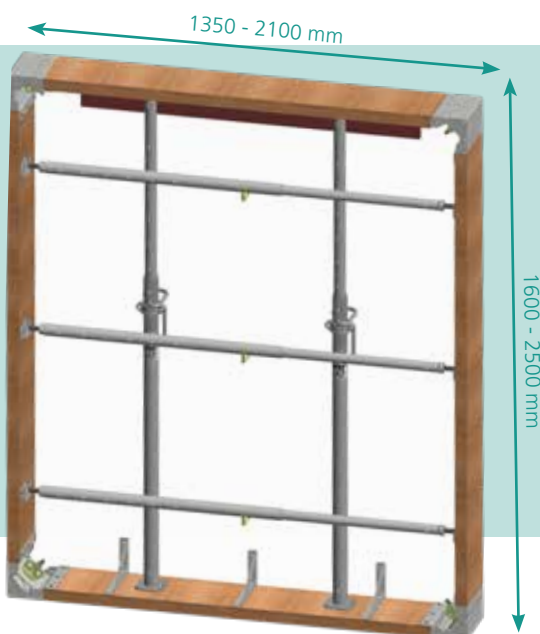
335000	Opening corner WT 200	4 No.
335030	Prop bearing	4 No.
335020	Prop 0.55 - 0.90 m	2 No.
335031	Support bracket	2 No.

## Window set M



335000	Opening corner WT 200	4 No.
335030	Prop bearing	4 No.
335021	Prop 0.85 - 1.30 m	2 No.
335031	Support bracket	2 No.

## Window set L



335000	Opening corner WT 200	4 No.
335030	Prop bearing	6 No.
335022	Prop 1.18 - 2.00 m	3 No.
697725	Euro-prop BD 25	2 No.
335031	Support bracket	3 No.



## DIE SCHALUNG



### **NOE-Schaltechnik Georg Meyer-Keller GmbH + Co. KG**

Kuntzstrasse 72, 73079 Süssen, Germany  
T + 49 7162 13-1  
F + 49 7162 13-288  
info@noe.de  
www.noe.eu

#### **Belgium**

NOE-Bekistingstechniek N.V.  
info@noe.be  
www.noe.eu

#### **France**

NOE-France  
info@noefrance.fr  
www.noe.eu

#### **Netherlands**

NOE-Bekistingstechniek b.v.  
info@noe.nl  
www.noe.eu

#### **Austria**

NOE-Schaltechnik  
noe@noe-schaltechnik.at  
www.noe.eu

#### **Poland**

NOE-PL Sp. Zo.o.  
noe@noe.pl  
www.noe.pl

#### **Switzerland**

NOE-Schaltechnik  
info@noe.ch  
www.noe.eu