



THE FORMWORK

NOE® AB 300

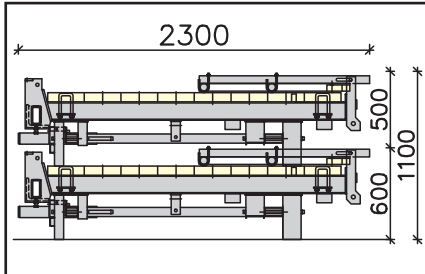


Self-locking walkway bracket With the hinged NOE working platform AB 300



Compact

Transport-optimised dimensions.



Ready for immediate use

Can be used on site immediately after unloading from the lorry.

Strong

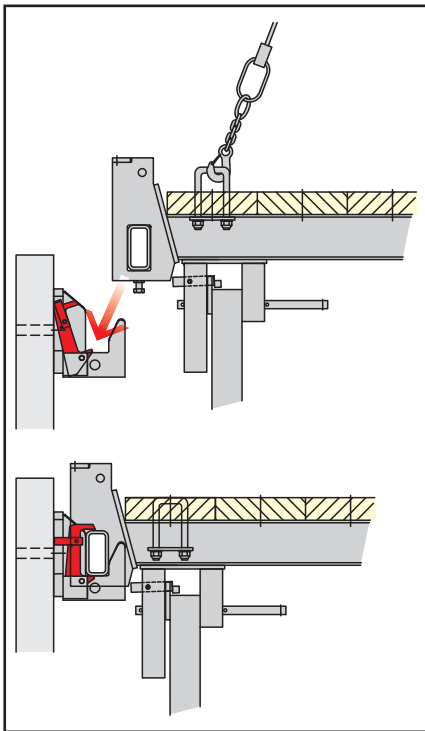
Permissible service load
300 kg/m² (scaffold
group 4 in accordance
with DIN 4420)

Dimensions

Length: 4000 and 6000
mm
Width: 2300 mm
Working width 2100
mm

Self-locking

Self-locking suspension hooks provide the highest level of safety..



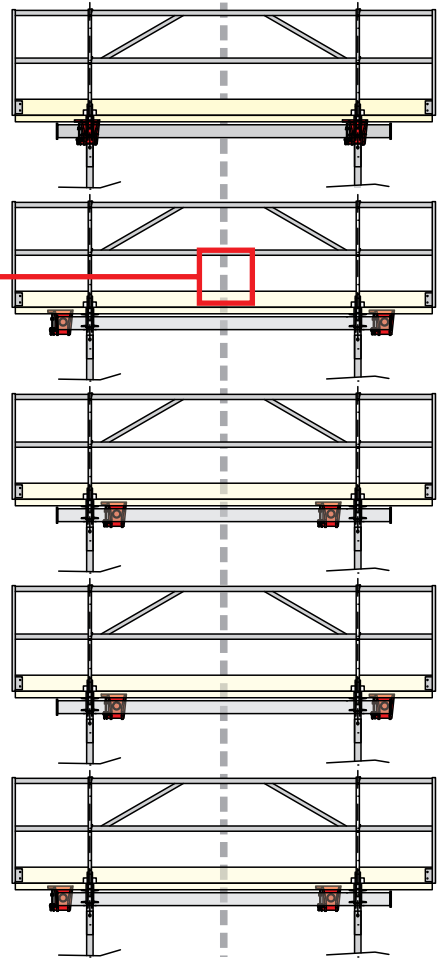
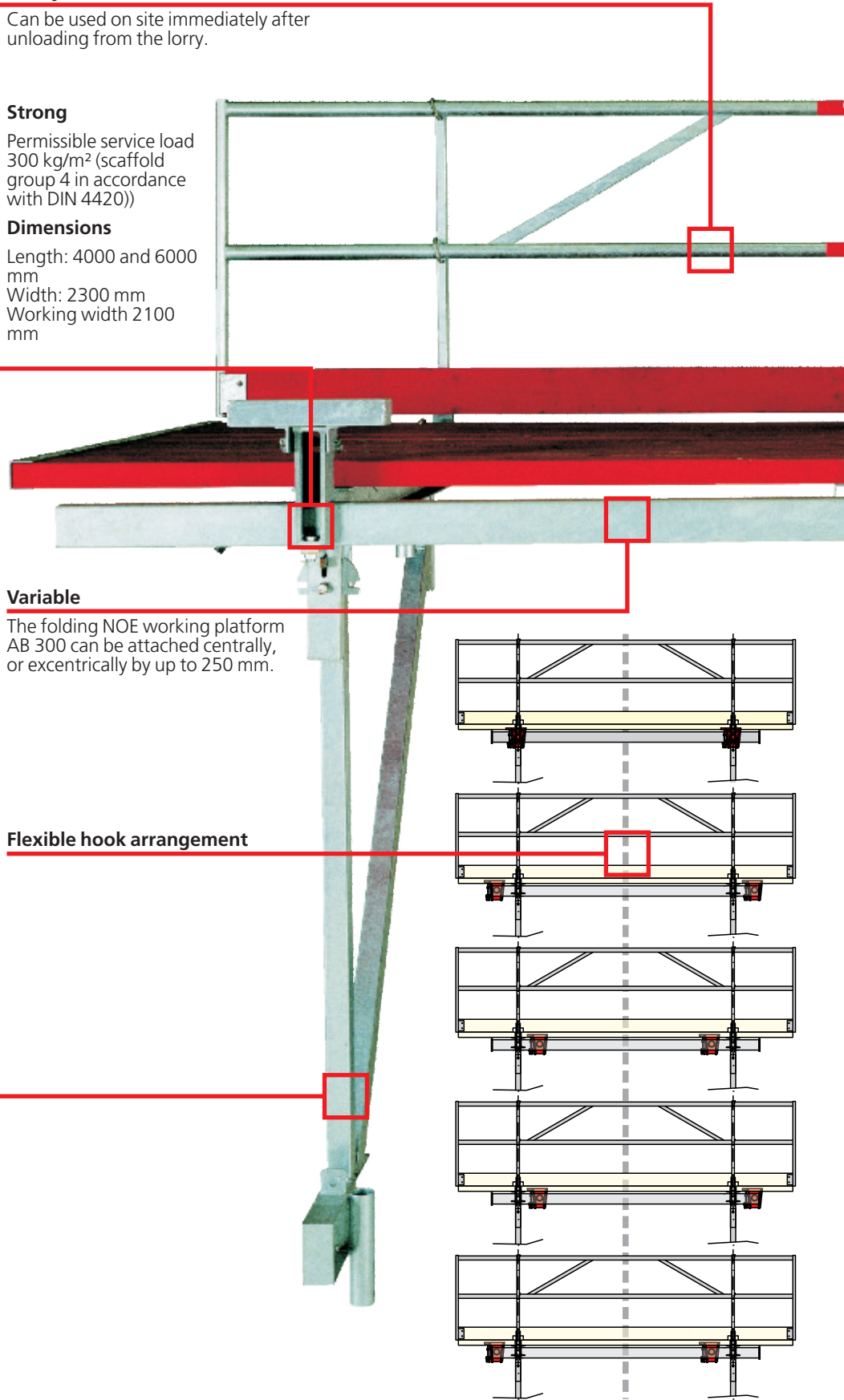
Variable

The folding NOE working platform
AB 300 can be attached centrally,
or eccentrically by up to 250 mm.

Flexible hook arrangement

Durable

Hot-dip galvanised steel components

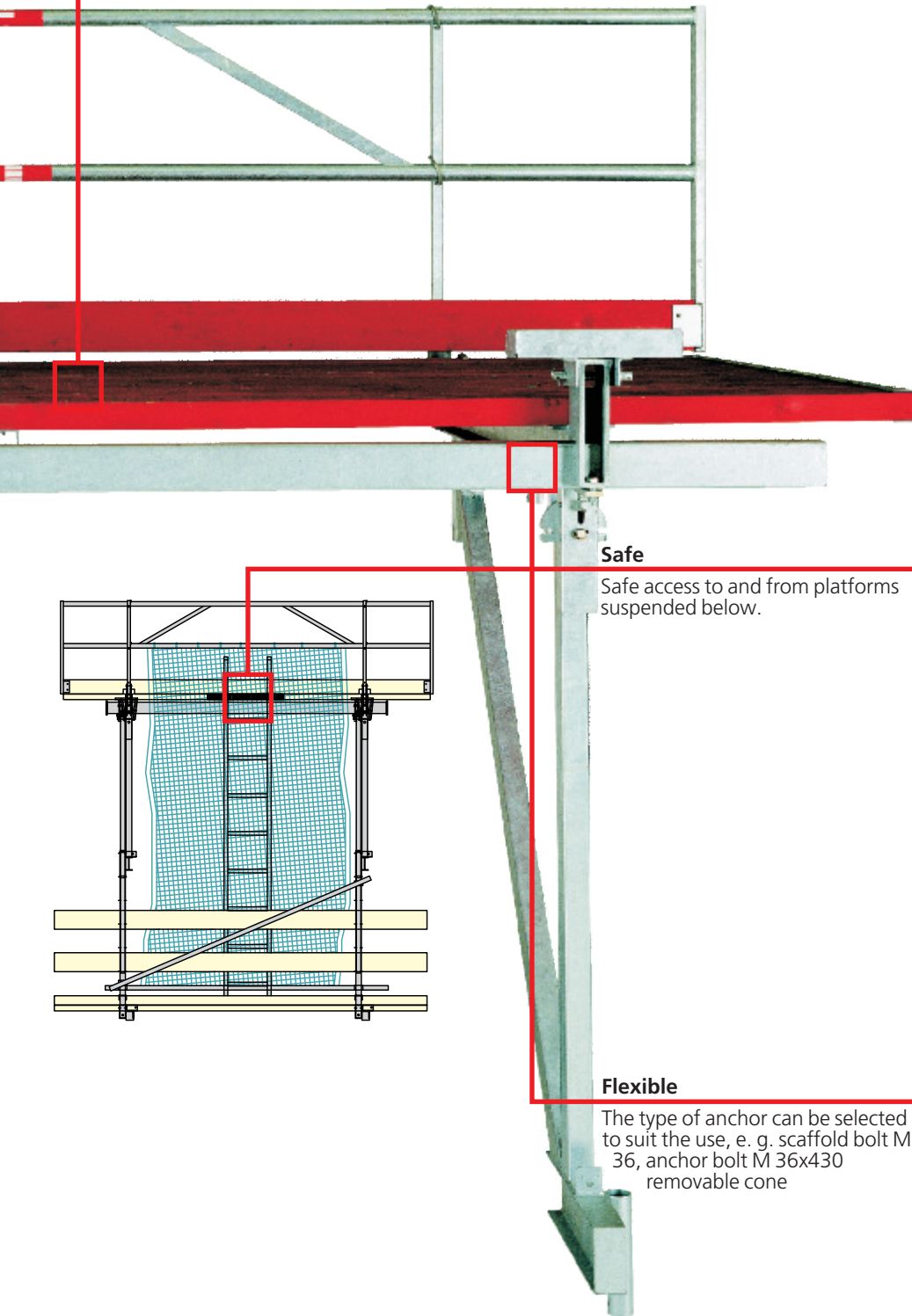


GS tested Hinged NOE working platform AB 300



Large

2100 mm working width



Safe

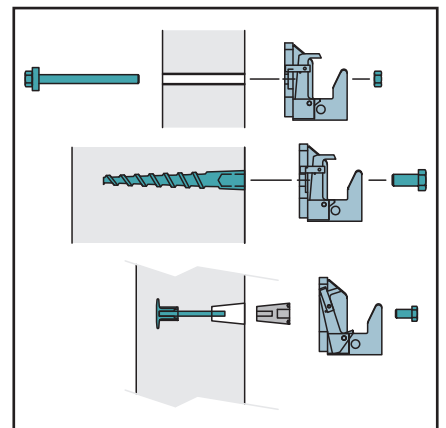
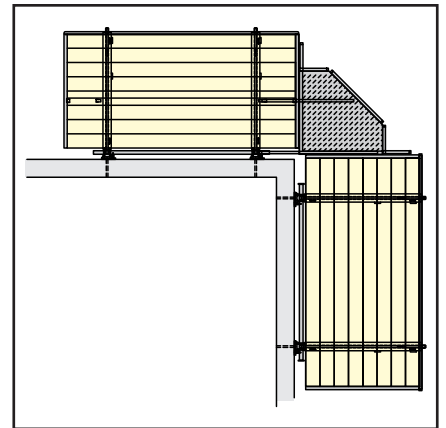
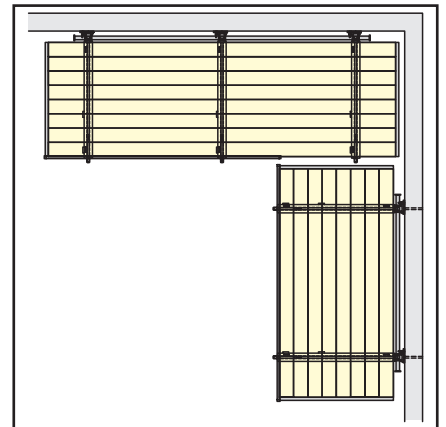
Safe access to and from platforms suspended below.

Flexible

The type of anchor can be selected to suit the use, e. g. scaffold bolt M 36, anchor bolt M 36x430 removable cone

Well-designed

Practical internal and external corner solutions.



Reach the heights With the hinged NOE working platform AB 300

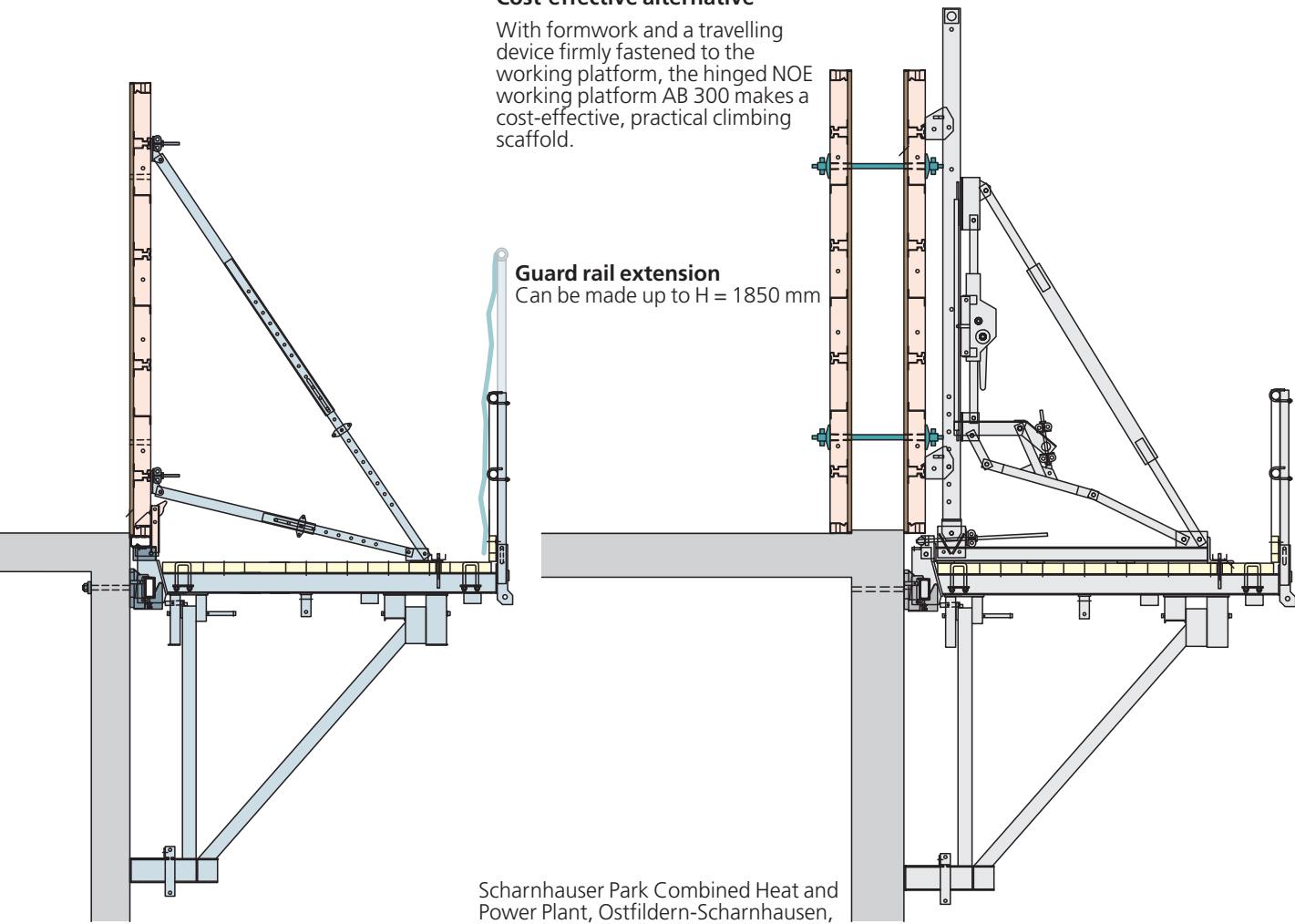


Cost-effective alternative

With formwork and a travelling device firmly fastened to the working platform, the hinged NOE working platform AB 300 makes a cost-effective, practical climbing scaffold.

Guard rail extension

Can be made up to $H = 1850$ mm



Scharnhäuser Park Combined Heat and Power Plant, Ostfildern-Scharnhäuser, Germany



Value-for-money alternative Hinged NOE working platform AB 300



Print Media Academy, Heidelberger Druckmaschinen AG, Heidelberg, Germany



Warehouse, Karlstein, Germany



Scharnhäuser Park Combined Heat and Power Plant, Ostfildern-Scharnhäuser, Germany



Tower at Montpellier Airport, France



THE FORMWORK



NOE-Schaltechnik Georg Meyer-Keller GmbH + Co. KG

Kuntzestr. 72, 73079 Suessen, Germany
T + 49 7162 13-1
F + 49 7162 13-288
info@noe.de
www.noe.de
www.noeplast.com

Austria

NOE Schaltechnik
www.noe-schaltechnik.at
noe@noe-schaltechnik.at

Belgium

NOE Bekistingtechniek N.V.
www.noe.be
info@noe.be

Brazil

Mills do Brasil
Estruturas e Serviços Ltda.
www.mills.com.br
millsbr@cepa.com.br

Bulgaria

NOE Schaltechnik
www.noebg.com
noe-bg@netbg.com

Croatia

NOE oplatna tehnika d.o.o.
www.noe.hr
noe@noe.hr

France

NOE France
www.noe-france.fr
info@noe-france.fr

Netherlands

NOE Bekistingtechniek b.v.
www.noe.nl
info@noe.nl

Poland

NOE PL Sp Zo.o.
www.noe.com.pl
noe@noe.com.pl

Russia

NOE Moscow
info@noe-moscow.ru

NOE St. Petersburg
noe@sovintel.ru

Saudi Arabia

NOE Global Trade Est.
NOE - The Formwork
www.noe.de
jeddah@noe.de

Serbia

NOE Sistemske Oplate d.o.o.
www.noe-scg.com
noe-scg@eunet.rs

Switzerland

NOE Schaltechnik
www.noe.ch
info@noe.ch

Turkey

NOE Beton Kalıpları A.Ş.
www.noe.com.tr
info@noe.com.tr